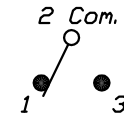
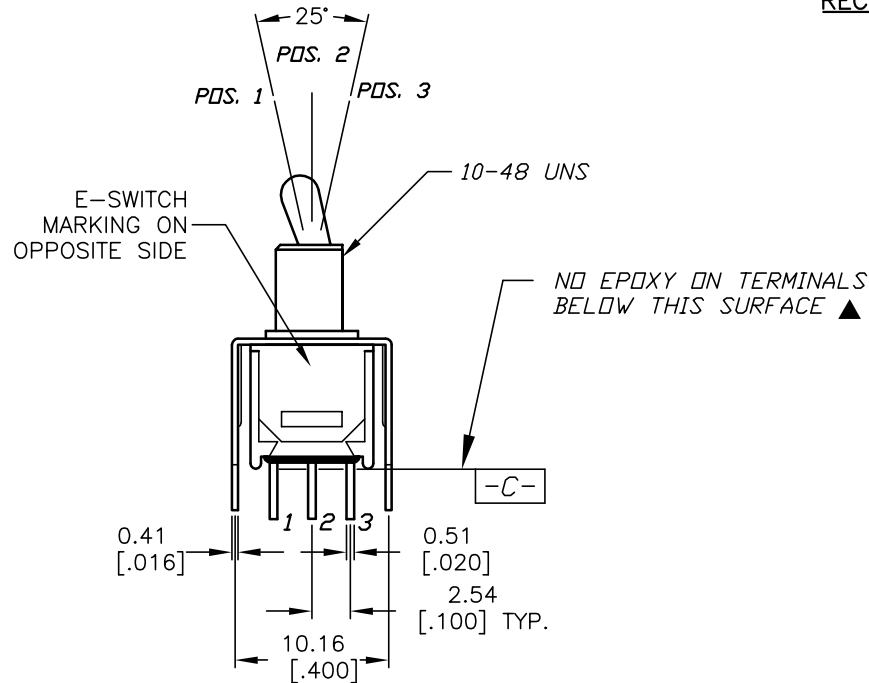
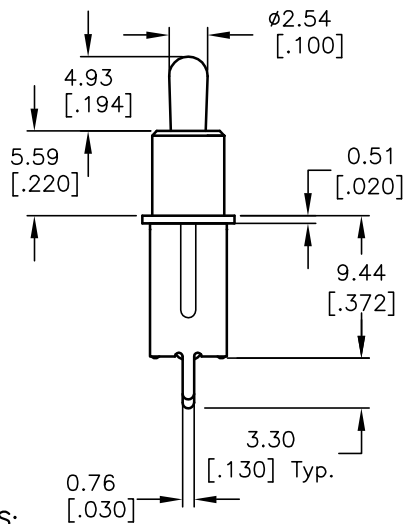


RECOMMENDED P.C.B. LAYOUT



CIRCUIT: SPDT  
CONTACT CONFIGURATION

SWITCH FUNCTION		
PDS. 1	PDS. 2	PDS. 3
<ON>	OFF	<ON>
2-3	OPEN	2-1

<ON> = MOMENTARY

NOTES:

1. ALL DIMENSIONS IN MM [INCH]
2. GENERAL TOLERANCE: X.X=±0.4  
X.XX=±0.25
3. TERM. NOS. FOR REF. ONLY
- Ⓟ 4. CONTACT RATING: 3A @120VAC OR 28VDC  
1A @250VAC
- ▲ 5. FIXED TERMINAL & MOVING CONTACT: CU ALLOY W/ SILVER PLATE
6. ELECTRIC LIFE: 30,000 MAKE-AND-BREAK CYCLES  
AT FULL LOAD.
7. INSULATION RESISTANCE: 1,000 M OHM MIN.
8. DIELECTRIC STRENGTH: 1,000 V RMS @SEA LEVEL.
9. OPERATING TEMP.: -30°C to 85°C
10. ▲ DENOTES CRITICAL PARAMETER.

**E-SWITCH®**

TITLE				
200MSP4T2B2VS2QE				
SCALE	DATE	DR	DWG	REV
2:1	5/19/04	AR	T211055	B

B	14235	CORRECT CONTACT RATING	8/17/04	AR
A	14023	RELEASED FOR PRODUCTION	5/19/04	AR
REV.	ECN No.	DESCRIPTION	DATE	CHKD

THE INFORMATION CONTAINED IN THIS DOCUMENT IS PROPRIETARY TO E-SWITCH AND IS NOT TO BE COPIED OR TRANSFERRED