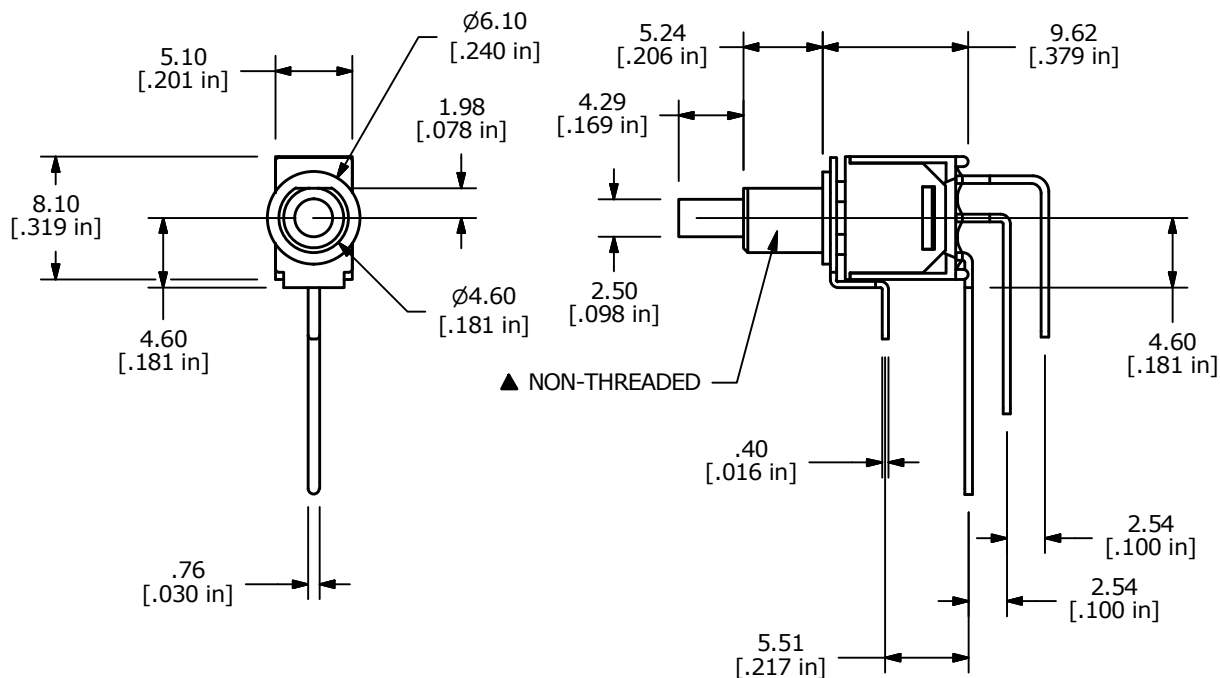


▲ **SWITCH FUNCTION**

POS. 1	POS. 2
ON	ON
2-1	2-3

NOTE:

1. ALL DIMENSIONS IN MM [INCH]
2. GENERAL TOLERANCE: X.X = ±0.4
X.XX = ±0.25
3. TERMINAL NUMBERS FOR REF ONLY
- ▲ 4. CONTACT MATERIAL: SILVER
5. RATING: 3A @ 120VAC OR 28VDC
6. MECHANICAL LIFE: 6,000 MAKE-AND-BREAK CYCLES
7. CONTACT RESISTANCE: R=20 mΩ max., Q=50 mΩ max.
8. INSULATION RESISTANCE: 1,000 mΩ min. @ 1000VDC.
9. ELECTRIC STRENGTH: 1,000 V RMS @SEA LEVEL.
10. OPERATING TEMP.: -30°C to 85°C
12. OPERATING FORCE: 350 ± 100g.
13. TRAVEL: 1.34 ±0.25mm
14. ▲ DENOTES CRITICAL PARAMETER.
15. 2002/95/EC (ROHS) COMPLIANT



A	22046	New Release	12/14/15	rc
REV	PCR NO	DESCRIPTION	DATE	BY

TITLE 800CSP1B6M7QE				
SCALE 2:1	DATE 11/10/2015	DR rc	DWG T835003	REV A

THE INFORMATION CONTAINED IN THIS DOCUMENT IS PROPRIETARY TO E-SWITCH AND IS NOT TO BE COPIED OR TRANSFERRED