

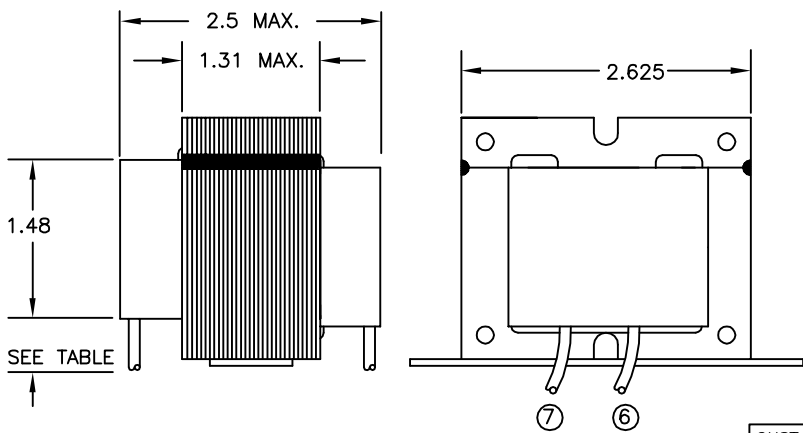
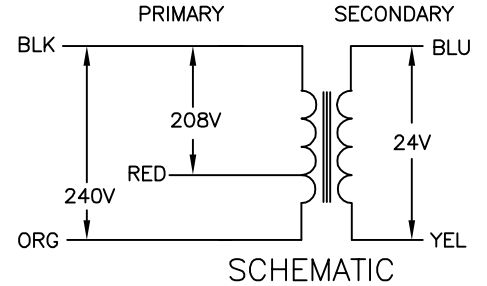
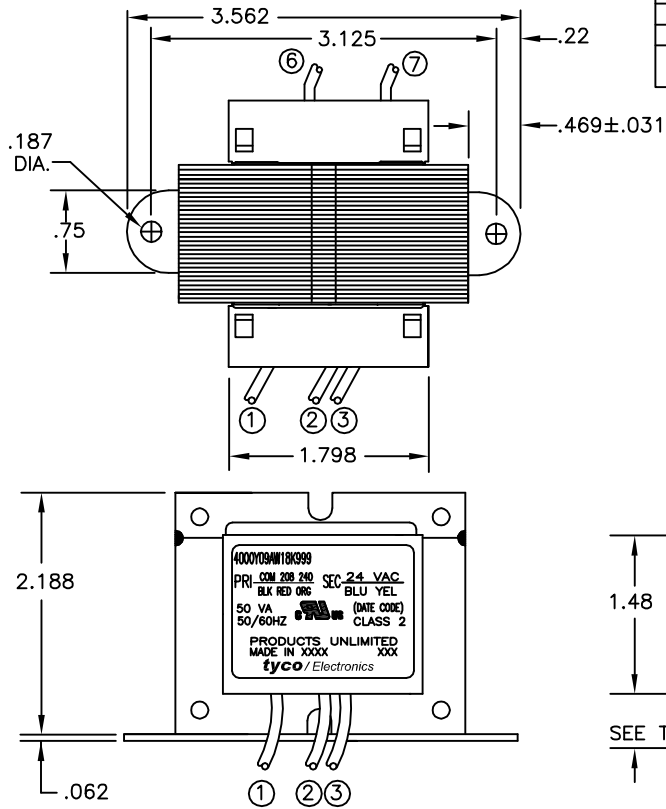
THIS DRAWING IS UNPUBLISHED. RELEASED FOR PUBLICATION  
 © COPYRIGHT - BY TYCO ELECTRONICS CORPORATION. ALL RIGHTS RESERVED.

LOC	DIST	REVISIONS		
GZ	00	P	LTR	DESCRIPTION
		A		NEW FROMAT & EC0720-0161-04
			DATE	DWN
			11MAR04	MD
			APVD	KH

ALL LEADS 18AWG-UNLESS OTHERWISE SPECIFIED					
PRIMARY					
LEAD NO.	1	2	3	4	5
VOLTAGE	COM	208	240		
COLOR	BLK	RED	ORG		
LENGTH	12.0	12.0	12.0		
STRIP LENGTH	.50	.50	.50		

- NOTES
1. DIMENSIONS FOR REFERENCE ONLY.
  2. ALL LEADS +1"/-0" TOL.
  3. STRIP TOL. ±1/32
  4. WINDING PROTECTION-INHERENTLY LIMITING

CERTIFICATION: UL & CUL FILE NO. E87824				
SECONDARY				
LEAD NO.	6	7	8	9
VOLTAGE	24	VAC		
COLOR	BLU	YEL		
LENGTH	12.0	12.0		
STRIP LENGTH	.50	.50		



4000Y09AW18K999  
 PRI COM 208 240 SEC 24 VAC  
 BLK RED ORG BLU YEL  
 50 VA (DATE CODE)  
 50/60HZ CLASS 2  
 PRODUCTS UNLIMITED  
 MADE IN XXXX  
 tyco / Electronics

THIS DRAWING IS A CONTROLLED DOCUMENT.

DIMENSIONS:	TOLERANCES UNLESS OTHERWISE SPECIFIED:
INCHES	
0 PLC	± -
1 PLC	± -
2 PLC	± -
3 PLC	± -
4 PLC	± -
ANGLES	± -
MATERIAL	FINISH
-	-

DWN	M.DAVIS	11MAR04
CHK	K.HOLSCHUH	11MAR04
APVD	K.HOLSCHUH	11MAR04
PRODUCT SPEC		
APPLICATION SPEC		
WEIGHT	-	
CUSTOMER DRAWING		

CUST. NO.	TYCO PART NUMBER
-	3-1611462-5
Tyco Electronics Corporation Harrisburg, Pa 17105-3608	
NAME	
TRANSFORMER OUTLINE	
SIZE	CAGE CODE
A3	00779
DRAWING NO	RESTRICTED TO
C=4000Y09AW18K999	-
SCALE	SHEET
NTS	1 OF 1
REV	A