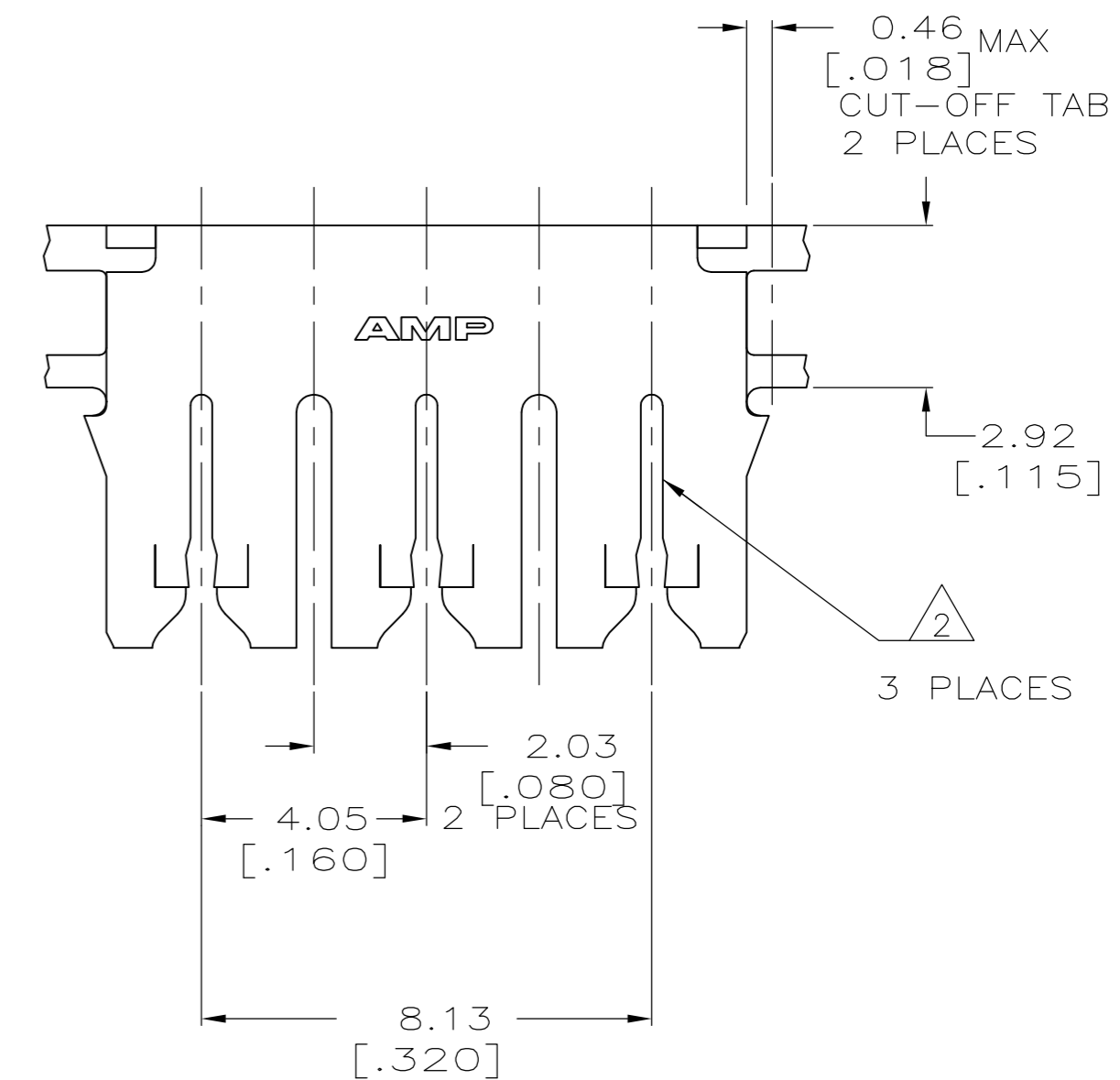
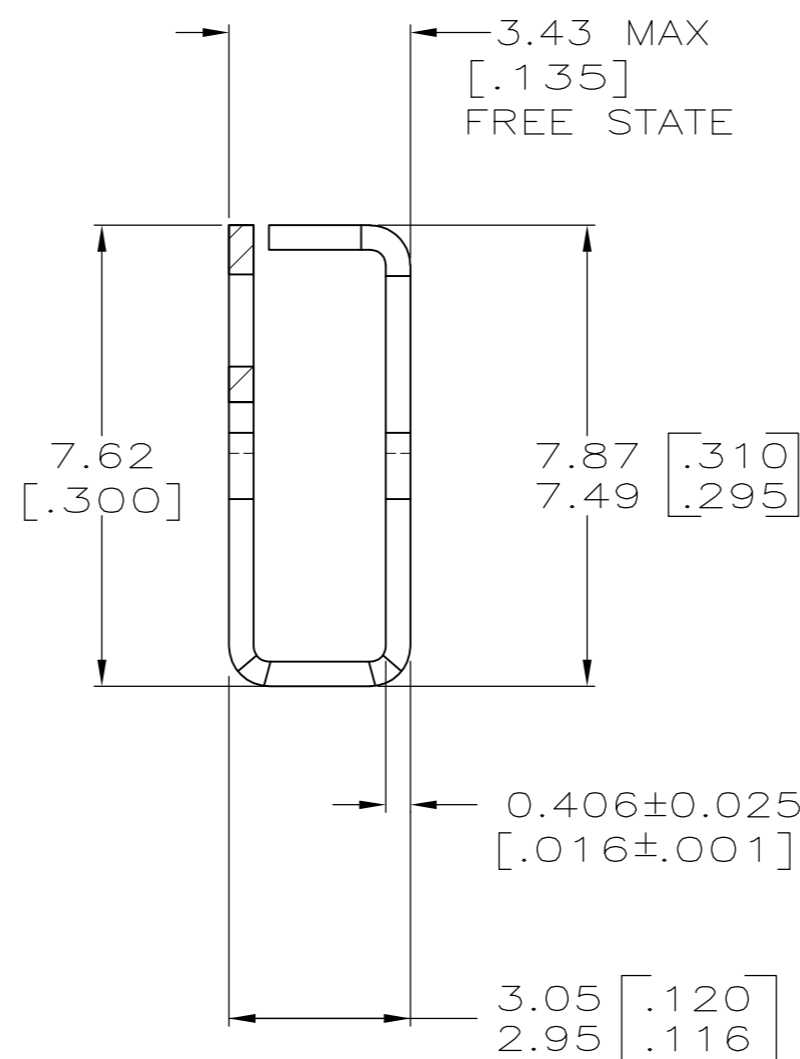
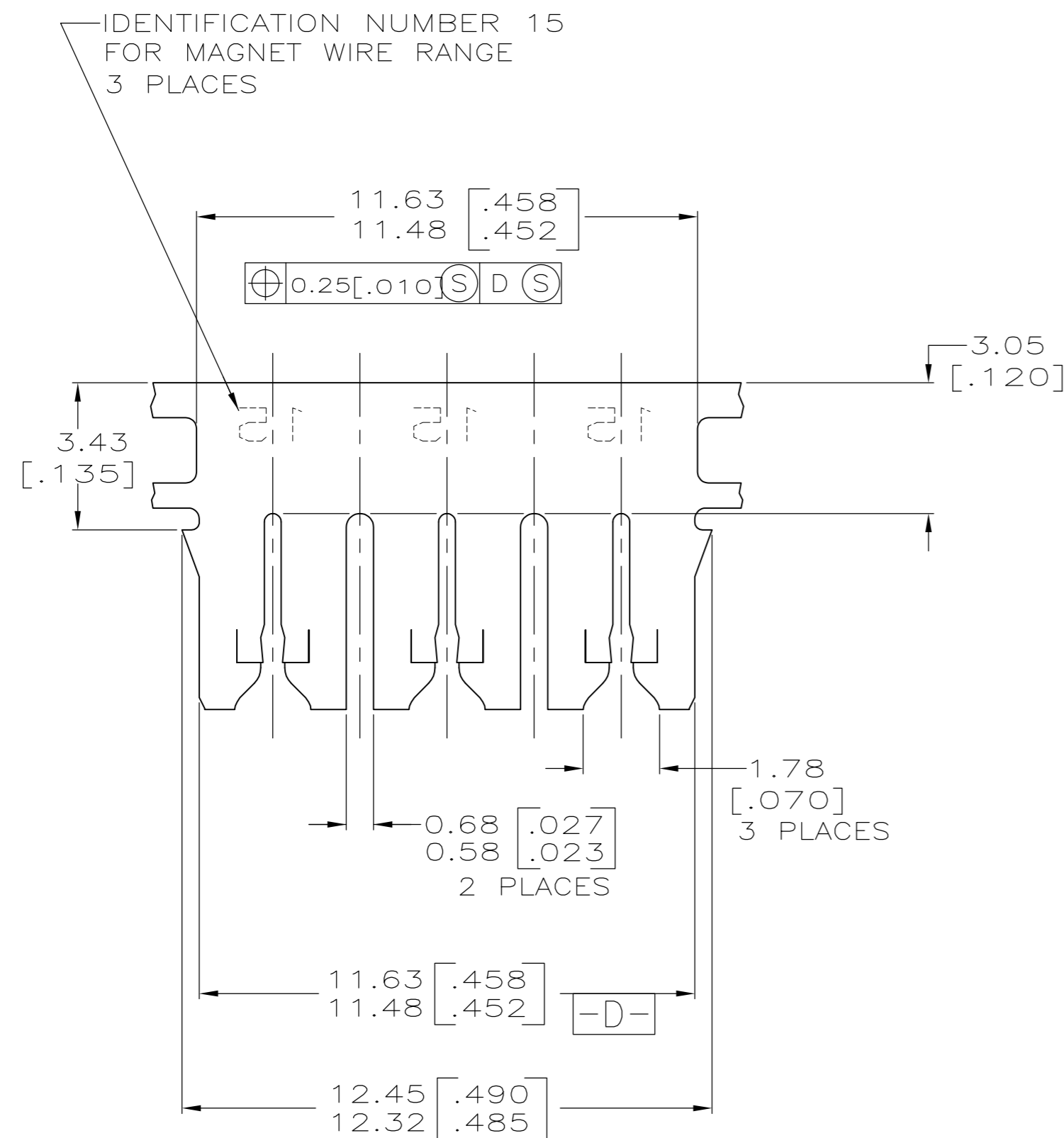
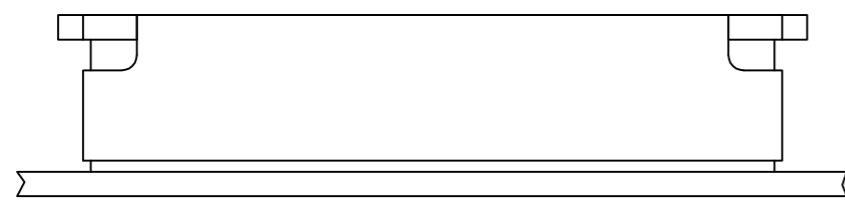


THIS DRAWING IS UNPUBLISHED. RELEASED FOR PUBLICATION  
 © COPYRIGHT - By TE Connectivity ALL RIGHTS RESERVED.

REVISIONS				
P	LTR	DESCRIPTION	DATE	APVD
2	A3	REMOVED FASR NOTE	08NOV2016	NK VS

- 1 CONTINUOUS STRIP ON REELS WITH TERMINALS LOCATED ON 13.97±0.08 [.550±.003] CENTERS.
- 2 SLOT ACCEPTS 0.54-0.81mm [#23.5-#20] AWG COPPER MAGNET WIRE. 2 WIRES OF THE SAME SIZE AND TYPE PER SLOT. EXCEPT 0.64-0.81mm [#22-#20] AWG WHICH IS ONE WIRE ONLY.
- 3 MAG-MATE APPLICATION SPEC IS 114-2046.



1217853-1  
PART NUMBER

THIS DRAWING IS A CONTROLLED DOCUMENT.		DWN MICHAEL S. FEHER 06JAN2003			NAME	
DIMENSIONS: mm [INCHES]		CHK KURT A. RANDOLPH 06JAN2003			TERMINAL, SPLICE, TRI-SLOT, 300 SERIES MAG-MATE™	
TOLERANCES UNLESS OTHERWISE SPECIFIED:		APVD KURT A. RANDOLPH 06JAN2003	PRODUCT SPEC		RESTRICTED TO	
0 PLC ± -		108-2012	APPLICATION SPEC		SIZE	
1 PLC ± -		96-1039-143	CAGE CODE		DRAWING NO	
2 PLC ± 0.25[.010]		96-1039-143	CAGE CODE		SCALE	
3 PLC ± -		0	CAGE CODE		SHEET	
4 PLC ± -		0	CAGE CODE		REV	
ANGLES ± -		0	CAGE CODE			
FINISH		TIN PLATE	CAGE CODE			
MATERIAL		BRASS	CAGE CODE			
CUSTOMER DRAWING			CAGE CODE			