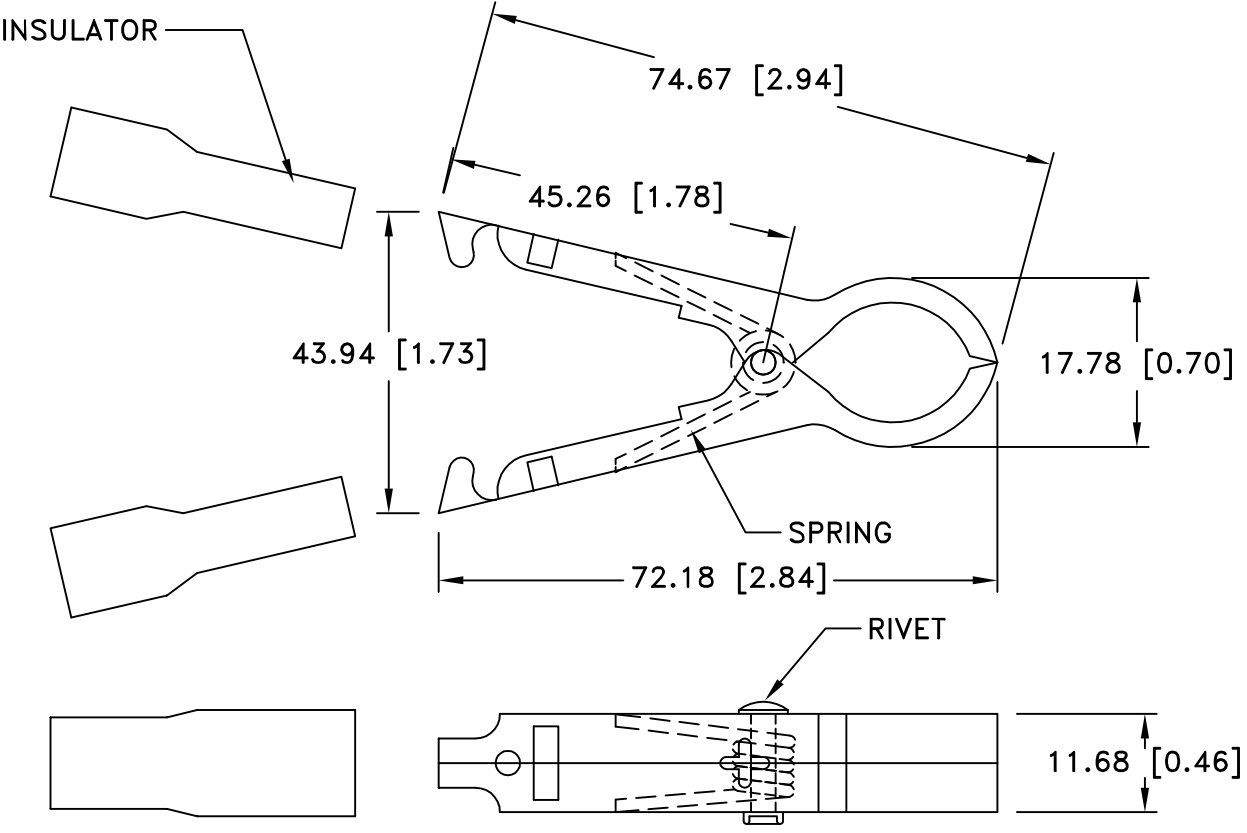



Date	SYM	REVISION RECORD	AUTH	DR.	CK.
6/24/06	A	ADDED "ROHS COMPLIANT"	T.B.	B.S.	



NOTES:  
MATERIAL:  
INSULATOR: PVC, RED  
CLIP: 302 STN. STL., SPRING TEMPER, NICKEL PLTD.  
SPRING:  
RIVET: BRASS, NICKEL PLATED  
ROHS COMPLIANT

Tolerance (Except as noted)	 <b>Memory Protection Devices, Inc</b> 200 Broad Hollow Road, Farmingdale, New York 11735	Scale	Drawn By B.S.
			Approved By T.B.
decimal ±.5 (.020)	Title INSULATED BATTERY CLIP		
Fractional ± .8 (.030)	Date 6/24/06	Drawing Number ZB3010-A	
Angular ± 3°			