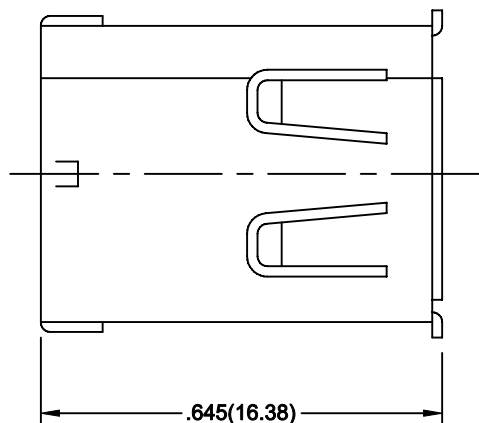


ISSUE NUMBER

ORIGINAL

1



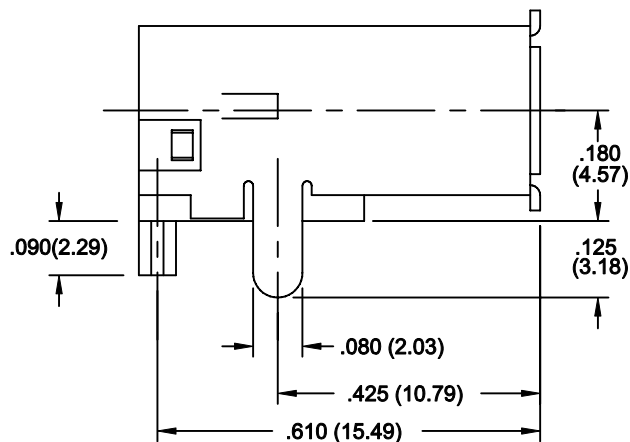
.645 (16.38)

**MATERIALS AND FINISH:**

HOUSING: HIGH TEMPERATURE THERMO-PLASTIC, UL94-0, BLACK.

SHELL: COPPER ALLOY OR STEEL, NICKEL PLATED.

CONTACTS: COPPER ALLOY, 30 MICRINCHES OF GOLD PLATED ON MATING AREA  
TIN ON SOLDER TAILS OVER NICKEL.



.090 (2.29)

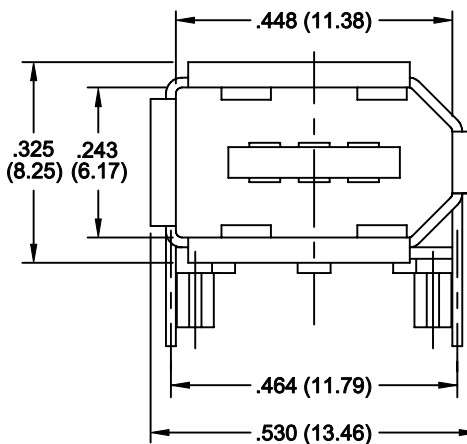
.180 (4.57)

.125 (3.18)

.080 (2.03)

.425 (10.79)

.610 (15.49)



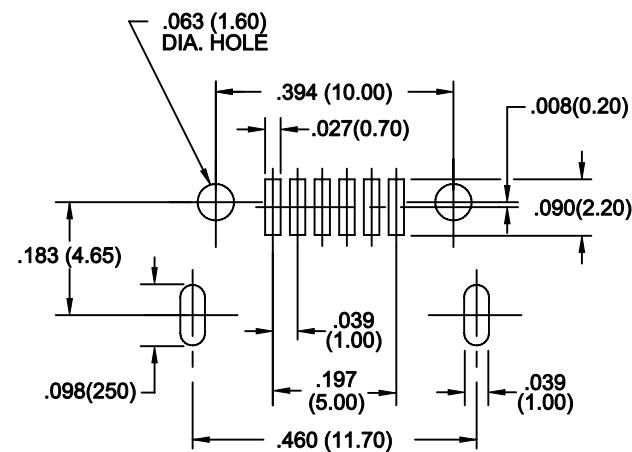
.448 (11.38)

.325 (8.25)

.243 (6.17)

.464 (11.79)

.530 (13.46)



.063 (1.60)  
DIA. HOLE

.394 (10.00)

.027 (0.70)

.008 (0.20)

.090 (2.20)

.183 (4.65)

.098 (2.50)

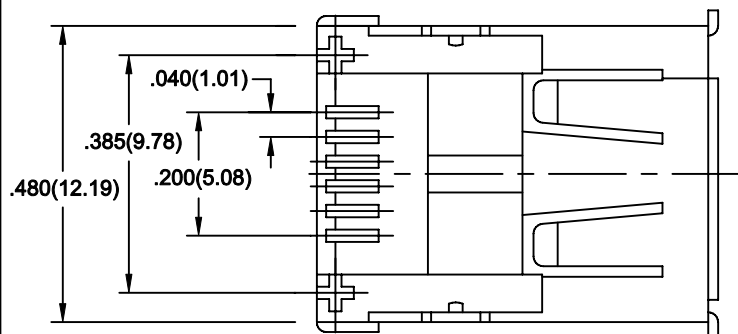
.039 (1.00)

.197 (5.00)

.039 (1.00)

.460 (11.70)

**PC BOARD MOUNTING DIMENSIONS**



.040 (1.01)

.385 (9.78)

.200 (5.08)

.480 (12.19)



THIS SERIES FULLY CONFORMS TO THE EUROPEAN UNION DIRECTIVES 2002/95/EC AND 2002/96/EC FOR RoHS COMPLIANCY.

**IEEE 1394 CONNECTOR  
SURFACE MOUNT**

ACAD REF. 693-006-699-003

DRAWN. F.BRIONES

DATE. NOV. 04/03

PART NUMBER.

**693-006-699-003**

DRAWING NUMBER.

**693-006-699-003**

ISSUE

**2**



**EDAC INC.**  
TORONTO, ONTARIO  
CANADA

YOUR CONNECTION TO QUALITY & SERVICE

THESE DRAWINGS AND SPECIFICATIONS ARE THE PROPERTY OF EDAC INC. AND SHALL NOT BE REPRODUCED OR COPIED OR USED AS THE BASIS FOR THE MANUFACTURE OR SALE OF APPARATUS WITHOUT WRITTEN PERMISSION.