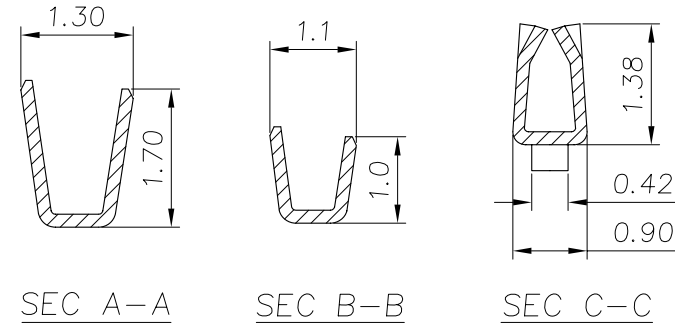
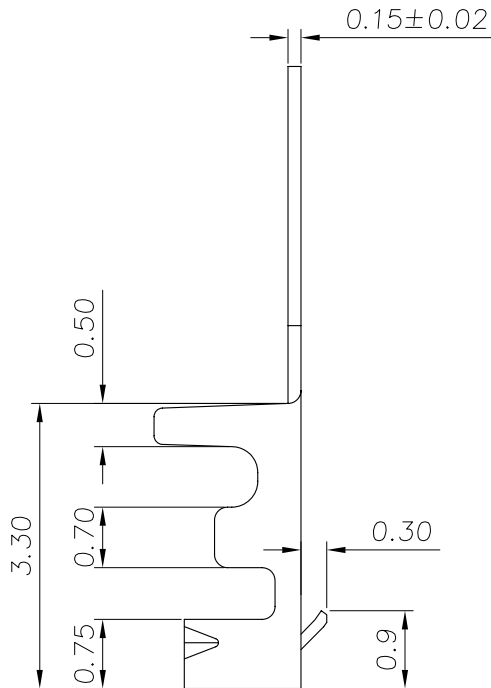
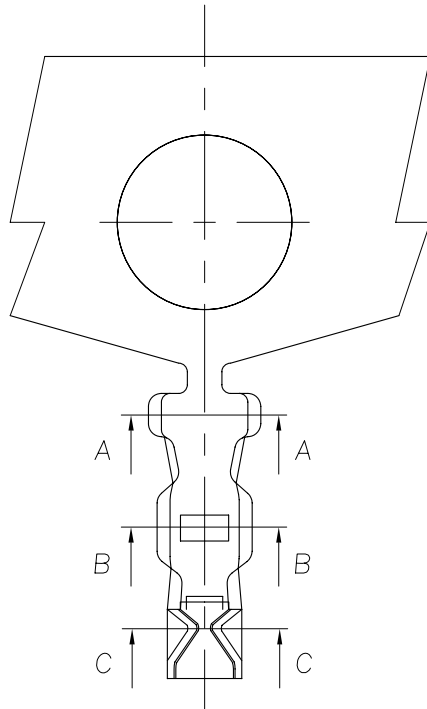


THIS DRAWING IS UNPUBLISHED. RELEASED FOR PUBLICATION AUG. 2006.
 © COPYRIGHT 2009 BY TYCO ELECTRONICS CORPORATION. ALL RIGHTS RESERVED.

LOC		DIST		REVISIONS			
P	LTR	DESCRIPTION		DATE	DWN	APVD	
	C1	REVISED (ECR-10-025473)		13DEC10	JL	WK	



NOTE:

- MATERIAL:
TERMINAL: PHOSPHOR BRONZE.
- FINISH:
THICKNESS : PLEASE SEE TABLE.
(A) 440147-1: TIN-LEAD PLATE AND 1.27um MIN. NICKEL UNDERPLATE OVER ALL.
(B) 440147-2: GOLD PLATE IN CONTACT AREA, 1.27um MIN. NICKEL UNDERPLATE OVER ALL.
- APPLY HOUSING PART NO: X-440146-X.
- APPLICATION SPECIFICATION: 114-57016.
- APPLICABLE WIRE RANGE: AWG #28-#32.

REPLACEMENT P/N: 1734193-1 (LEAD-FREE)

REPLACEMENT P/N	0.76 μm	440147-2
	2.0 μm	440147-1
	TIN-LEAD PLATING	GOLD PLATING
		PART NUMBER

THIS DRAWING IS A CONTROLLED DOCUMENT.		DWN O. HU	29JUL2003	Tyco Electronics Corporation Taipei, Taiwan	
DIMENSIONS: MM		CHK A. WU	29JUL2003	NAME	
TOLERANCES UNLESS OTHERWISE SPECIFIED:		APVD J. CHENG	29JUL2003	PRODUCT SPEC	
0 PLC ± -		108-57225		APPLICATION SPEC	
1 PLC ± 0.15		501-57229		WEIGHT	
2 PLC ± 0.10		-		CUSTOMER DRAWING	
3 PLC ± 0.05		A300779		SCALE -	
4 PLC ± -		C=440147		SHEET 1 OF 2	
ANGLES ± 3'		-		REV C1	
MATERIAL SEE NOTE		FINISH SEE NOTE		RESTRICTED TO -	

4

3

2

1

THIS DRAWING IS UNPUBLISHED.

RELEASED FOR PUBLICATION

AUG ,2006.

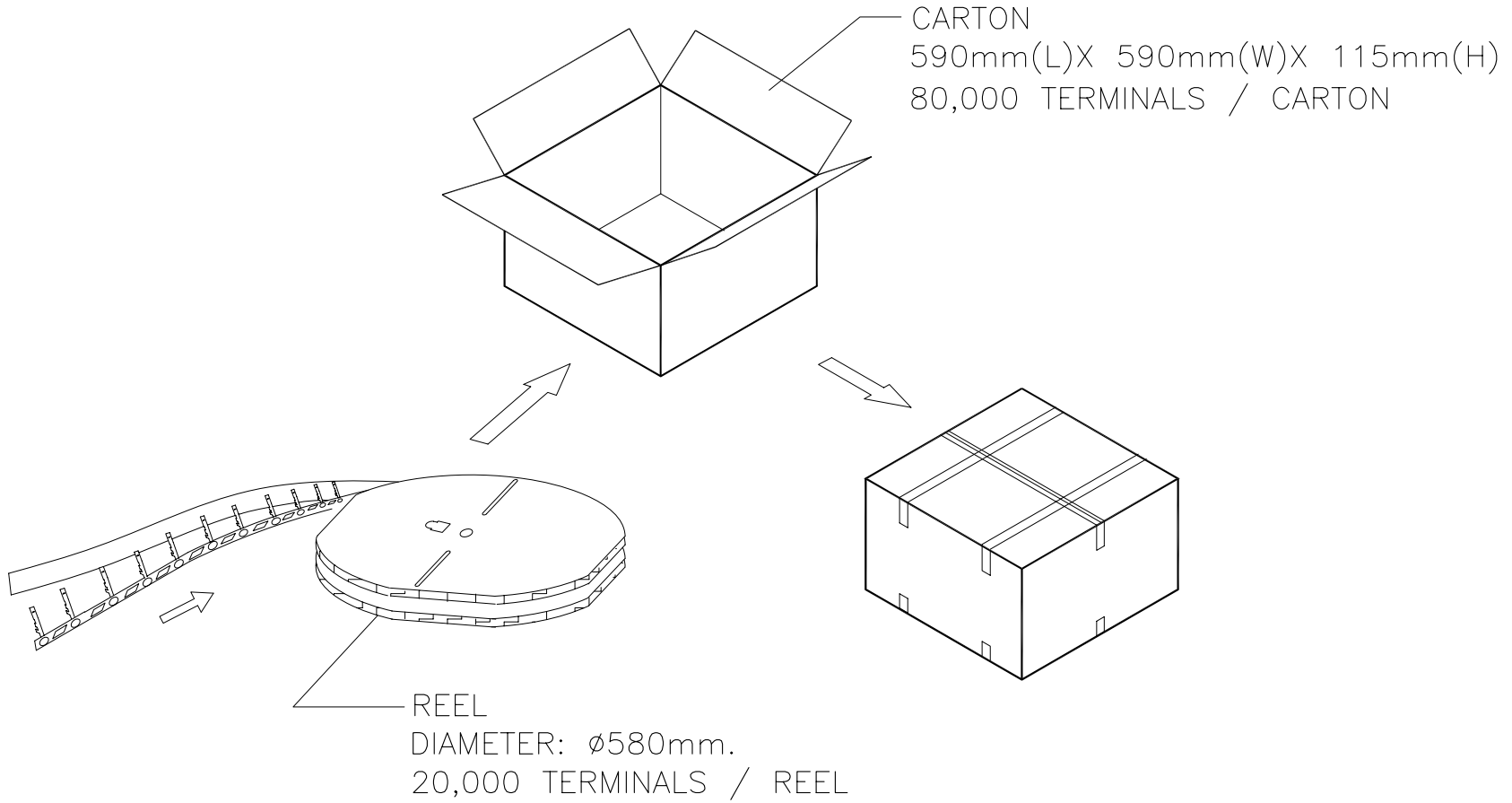
© COPYRIGHT 2009 BY TYCO ELECTRONICS CORPORATION. ALL RIGHTS RESERVED.

LOC DW

DIST

REVISIONS

P	LTR	DESCRIPTION	DATE	DWN	APVD
		SEE SHEET 1.			



THIS DRAWING IS A CONTROLLED DOCUMENT.		DWN	Tyco Electronics Corporation	
DIMENSIONS: MM		CHK	Taipei, Taiwan	
TOLERANCES UNLESS OTHERWISE SPECIFIED:		APVD	NAME	
0 PLC ± -		PRODUCT SPEC	WIRE TO BOARD SOCKET, TERMINAL	
1 PLC ± -		APPLICATION SPEC	SIZE	CAGE CODE
2 PLC ± -		WEIGHT	A3	00779
3 PLC ± -		CUSTOMER DRAWING	DRAWING NO	RESTRICTED TO
4 PLC ± -		SCALE	C=440147	-
ANGLES ± -		SHEET	2	OF 2
FINISH		REV	C1	