

MOLEX PART NO.	ENGINEERING NUMBER
1200390001	DND100L

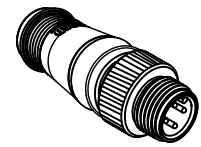
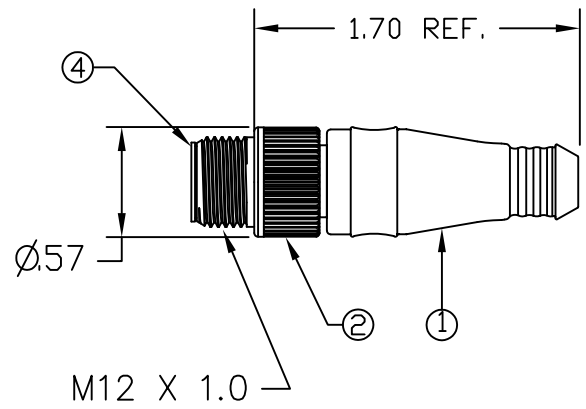
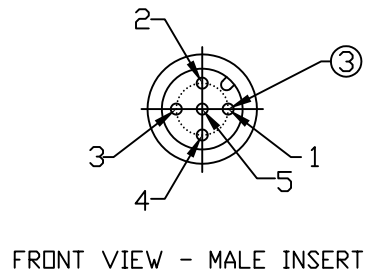
E

D

C

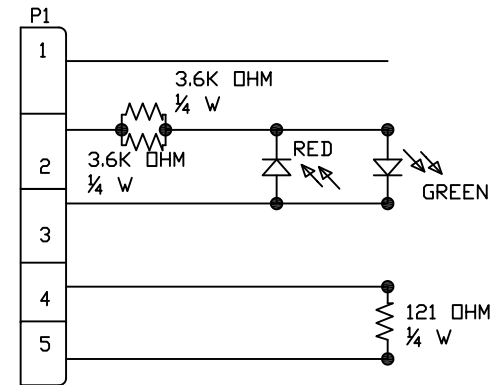
B

A



NOTES:

- 1) MATERIAL: SEE TABLE
- 2) FINISHES: SEE TABLE
- 3) ELECTRICAL DATA:  
MAX. VOLTAGE: 30V DC  
MAX. CURRENT 4A
- 4) ENVIRONMENTAL:  
PROTECTION IP67
- 5) ASSEMBLY IS RoHS COMPLIANT.



		RELEASE		EC NO: WNA2010-0410 DRWN: TWOLDEGE 2010/01/11 CHKD: BWOODMAN APPR: JFMURPHY 2010/01/20	QUALITY SYMBOLS ▽=0 ▽C=0	GENERAL TOLERANCES (UNLESS SPECIFIED)		DIMENSION STYLE IN/MM		SCALE 1:1	DESIGN UNITS INCH	THIRD ANGLE PROJECTION
		A				4 PLACES ±--- ±--- 3 PLACES ±--- ±.005 2 PLACES ±0.13 ±.010 1 PLACE ±0.25 ±.020		DRAWN BY DATE CHECKED BY DATE APPROVED BY DATE MATERIAL NO.		TITLE MICRO D-NET TERMINATOR 5-P MALE LED TERMINATOR DEVICE-NET		MOLEX INCORPORATED DOCUMENT NO. SD-120039-001 SHEET NO. 1 OF 1
ITEM	QTY.	DESCRIPTION	MATERIAL	FINISH	DRAFT WHERE APPLICABLE MUST REMAIN WITHIN DIMENSIONS		SEE CHART		THIS DRAWING CONTAINS INFORMATION THAT IS PROPRIETARY TO MOLEX INCORPORATED AND SHOULD NOT BE USED WITHOUT WRITTEN PERMISSION			