

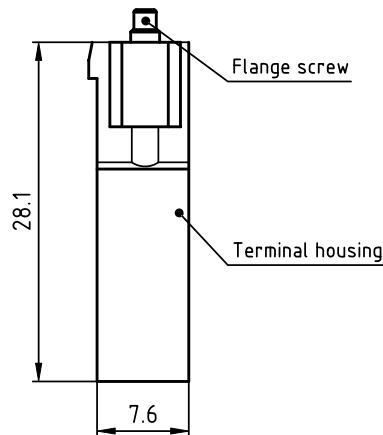
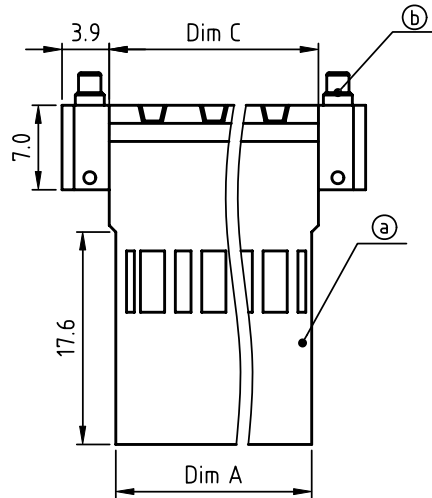
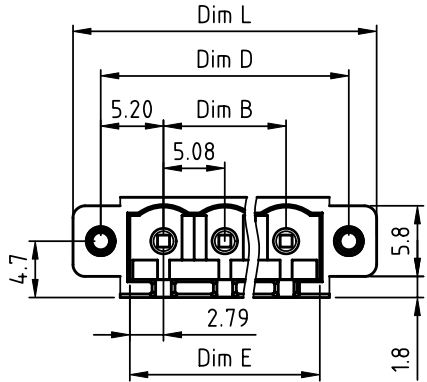
PRODUCT NUMBER	PITCH
KVxx50x100J0G	5.08 mm

N = Number of poles
 Dim L=(N-1)x5.08+15.0
 Dim A=Nx5.08+1.0
 Dim B=(N-1)x5.08
 Dim C=Nx5.08+2.1
 Dim D=(N-1)x5.08+10.4
 Dim E=(N-1)x5.08+5.58

PART NO.: KV xx 50 x 1 00J0 G

Solid block	0	Color	RoHS compliant
No. of poles	2	Black (RAL9005)	(lead<4%)
02 2 poles	3	Red (RAL3001/D)	In copper Alloy
03 3 poles	4	Orange(RAL2011/P)	
...	...	Yellow(RAL1018/A)	
24 24 poles	5	Green(RAL6018/T)	
	6	Blue (RAL5015/A)	
	8	Grey(RAL7035/D)	
	9	White(RAL1102)	
	C	Green(RAL6018/U)	

Poles	Dim L	Dim A	Dim B	Dim C	Dim D	Dim E
2-6p	±0.15	±0.10	±0.15	±0.15	±0.15	±0.15
7-12p	±0.20	±0.20	±0.20	±0.20	±0.20	±0.20
13-16p	±0.25	±0.30	±0.25	±0.25	±0.25	±0.25
17-24p	±0.35	±0.40	±0.35	±0.35	±0.35	±0.35



Material:

- Item①Terminal housing:Thermoplastic (UL94 V-0)
- Item②Flange screw: Steel Zinc plated, M2.5, "+/-" slot type

Electrical

- Voltage rating: 300V
- Current rating: 10A
- Wire range: 1.5-2.5mm²
- Withstanding Voltage: 1.6KV
- Corresponding female crimp contacts:AR 5.08 series

mat'l. code		surface ASME Y14.5	tolerance ASME Y14.5	projection	product family
ltr ecn no dr date		tolerances unless otherwise specified			TERMINAL BLOCK
		angles	X.±0.5	MM	title
			X.X±0.3		TERMINAL BLOCK
		X°±1°	X.XX±0.1	scale	PLUGGABLE PLUG,FLANGE WITH SCREW,CRIMP CONNECTION
		dr	EVIN ZHONG 050414		dwg no
		enr	EVIN ZHONG 050414		sheet 1 of 1
		chr	HANKE FENG 050414		KVxx50x100J0G
		appd	SHI JUN 050414		A4
sheet index	revision sheet	A	1		type CUSTOMER Drawing