

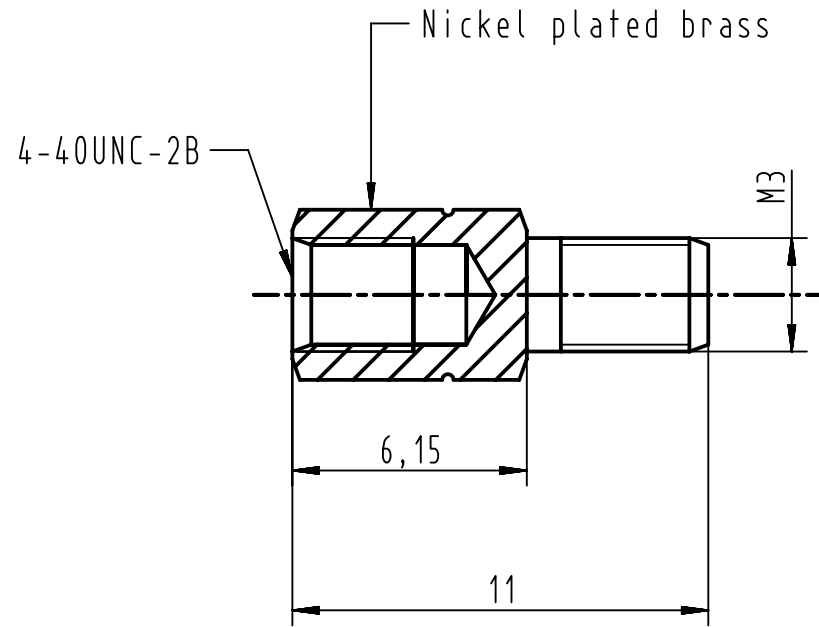
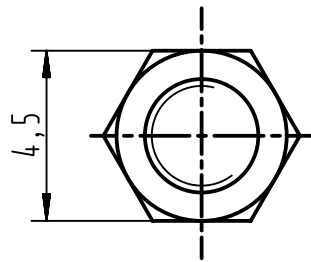
1 2 3 4 5 6


A

B

C

D



	All rights reserved Department EC PD - FR	Created by DOUGE	Inspected by BAGDIKIAN	Standardisation HOFFMANN	Date 2012-12-12	State Final Release	Doc-Key / ECM-Nr. 100522628/UGD/001/A 500000056803
	HARTING Electronics GmbH D-32339 Espelkamp	Title D-Sub female screw lock	Type TB	Number 09670009974	Rev. A	Page 1/1	