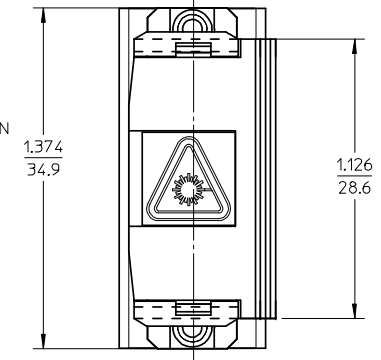
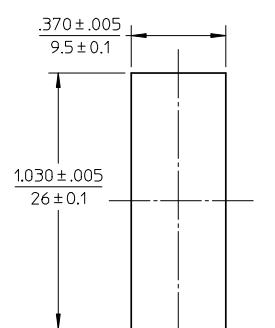


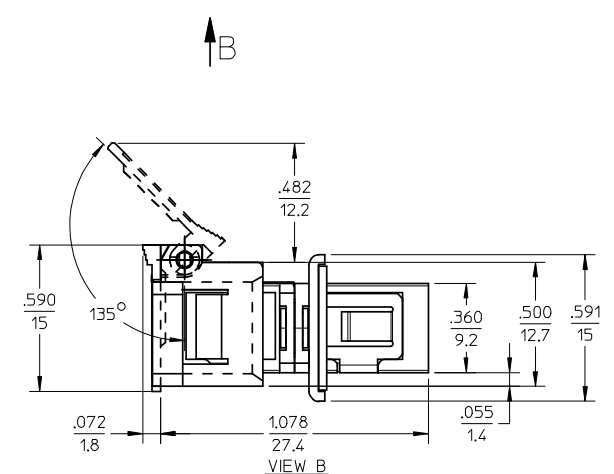
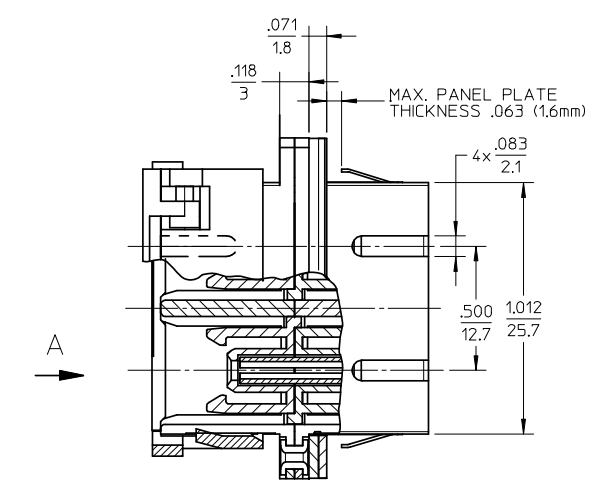
VIEW A  
VARIATION 1  
FOR LABEL INSTALLATION



VIEW A  
VARIATION 2  
FOR LABEL INSTALLATION



RECOMMENDED  
MOUNTING CUTOUT



- NOTES:
1. ALL DIMENSIONS ARE FOR REFERENCE ONLY.
  2. LABEL MUST BE INSTALLED AND ORIENTED BY CUSTOMER.
  3. DUST CAPS ARE NOT SHOWN BUT INCLUDED.
  4. SCD METAL ADAPTER CONTAINS ZIRCONIA CERAMIC ALIGNMENT SLEEVES.
  5. SCD EMI ADAPTER MEETS APPLICABLE EIA/TIA STANDARDS.

ENTER DESCRIPTION EC NO: MF2008-0363 DRWN: JSZEWZYK 2008/02/29 CHKD: 2008/02/29 APPR: IGUMIN 2008/02/29 REV B	DESCRIPTION REV	QUALITY SYMBOLS	GENERAL TOLERANCES (UNLESS SPECIFIED)	DIMENSION STYLE	SCALE	DESIGN UNITS	THIRD ANGLE PROJECTION	
		▼=0 ∇=0	mm INCH 4 PLACES ± --- ± --- 3 PLACES ± --- ± --- 2 PLACES ± --- ± --- 1 PLACE ± --- ± --- ANGULAR ±1/2°	IN/MM DRAWN BY DATE PGIBLIN 2005/10/28 CHECKED BY DATE APPROVED BY DATE	2:1	INCH	M O L E X M O L E X INCORPORATED	TITLE SCD EMI ADAPTER W/SHILED
		DRAFT WHERE APPLICABLE MUST REMAIN WITHIN DIMENSIONS		MATERIAL NO.	DOCUMENT NO.	SHEET NO.		
				1061161000	SD-106116-1000	1 OF 1	THIS DRAWING CONTAINS INFORMATION THAT IS PROPRIETARY TO MOLEX INCORPORATED AND SHOULD NOT BE USED WITHOUT WRITTEN PERMISSION	