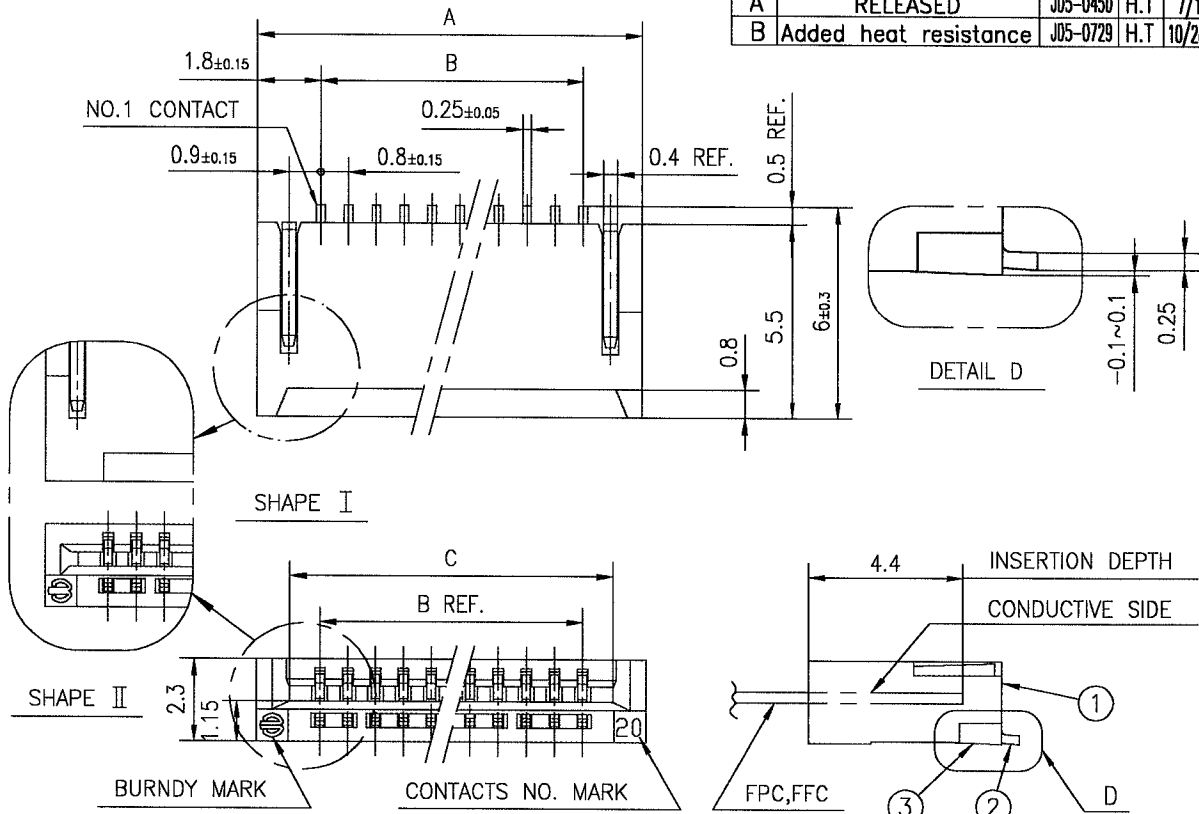


PRODUCT NO.

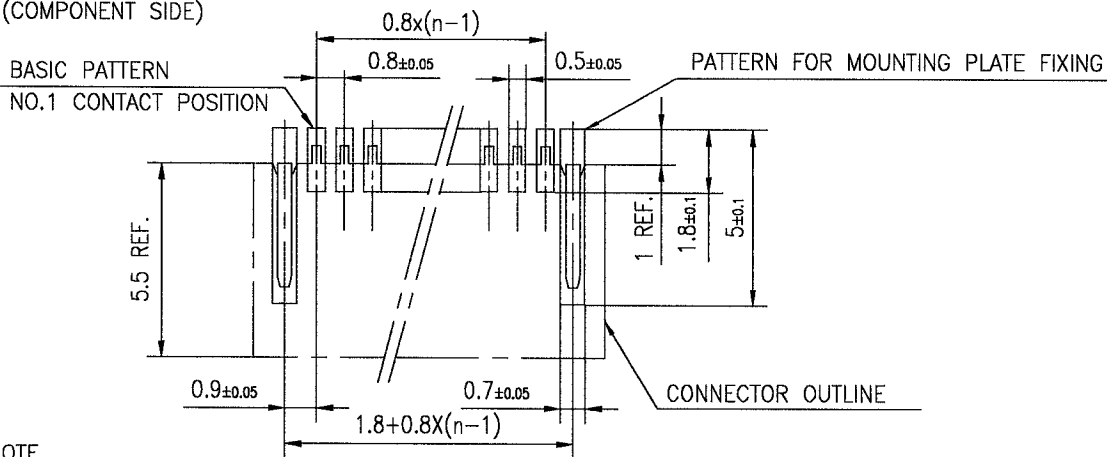
REVISIONS				
REV	DESCRIPTION	ECN	BY	DATE
A	RELEASED	J05-0450	H.T	7/15/05
B	Added heat resistance	J05-0729	H.T	10/28/05



PT. NO.	PARTS NAME	MATERIAL	Q'TY	NOTE
1	INSULATOR	PPS RESIN GLASS REINFORCED (UL94V-0)	1	COLOR : BROWN
2	CONTACT	PHOSPHOR BRONZE	n	PLATING : Sn Ni UNDER PLATED
3	MOUNTING PLATE		2	

RECOMMENDED PC BOARD LAYOUT (COMPONENT SIDE)

n : NO. OF CONTACTS



NOTE

1. THIS IS SMT CONNECTOR FOR AUTOMATIC MOUNTING.
2. THIS PRODUCT MEETS EUROPEAN UNION DIRECTIVES AND OTHER COUNTRY REGULATIONS AS DESCRIBED IN GS-22-008
3. THE HOUSING WILL WITHSTAND EXPOSURE TO 260°C PEAK TEMPERATURE FOR 10 SECONDS IN A REFLOW SOLDERING OVEN.

SHEET INDEX	ISSUE	B																
	SH NO.	1																
LINEAR	TOLERANCES UNLESS OTHERWISE SPECIFIED	±0.2	DR	<i>W. Motomura</i>	DATE	10/27/05	CUSTOMER COPY	TITLE 0.8mm SPACING CONNECTOR (CAT.No.HFR__R-2ST__LF)										
	ANGLES		ENGR	<i>H. Takahashi</i>	DATE	10/21/05	THIRD ANGLE PROJ											
			CHK	<i>H. Takahashi</i>	DATE	10/21/05	UNIT											
			APPR	<i>S. Nakamura</i>	DATE	11/1/05	MM INCH	PRODUCT FAMILY	58HF	CODE JP								
DO NOT SCALE PRINT		THIS INFORMATION IS CONFIDENTIAL AND IS DISCLOSED TO YOU ON CONDITION THAT NO FURTHER DISCLOSURE IS MADE BY YOU TO OTHER THAN FCI PERSONNEL WITHOUT WRITTEN AUTHORIZATION FROM FCI JAPAN K.K.							SCALE	N/A	SIZE	A	DWG. NO.	JSA 96606	REV	B	SHEET	1 of 1

SC-HFR02 JSA96605

PDM: Rev:B

STATUS: Released

Printed: Dec 01, 2005