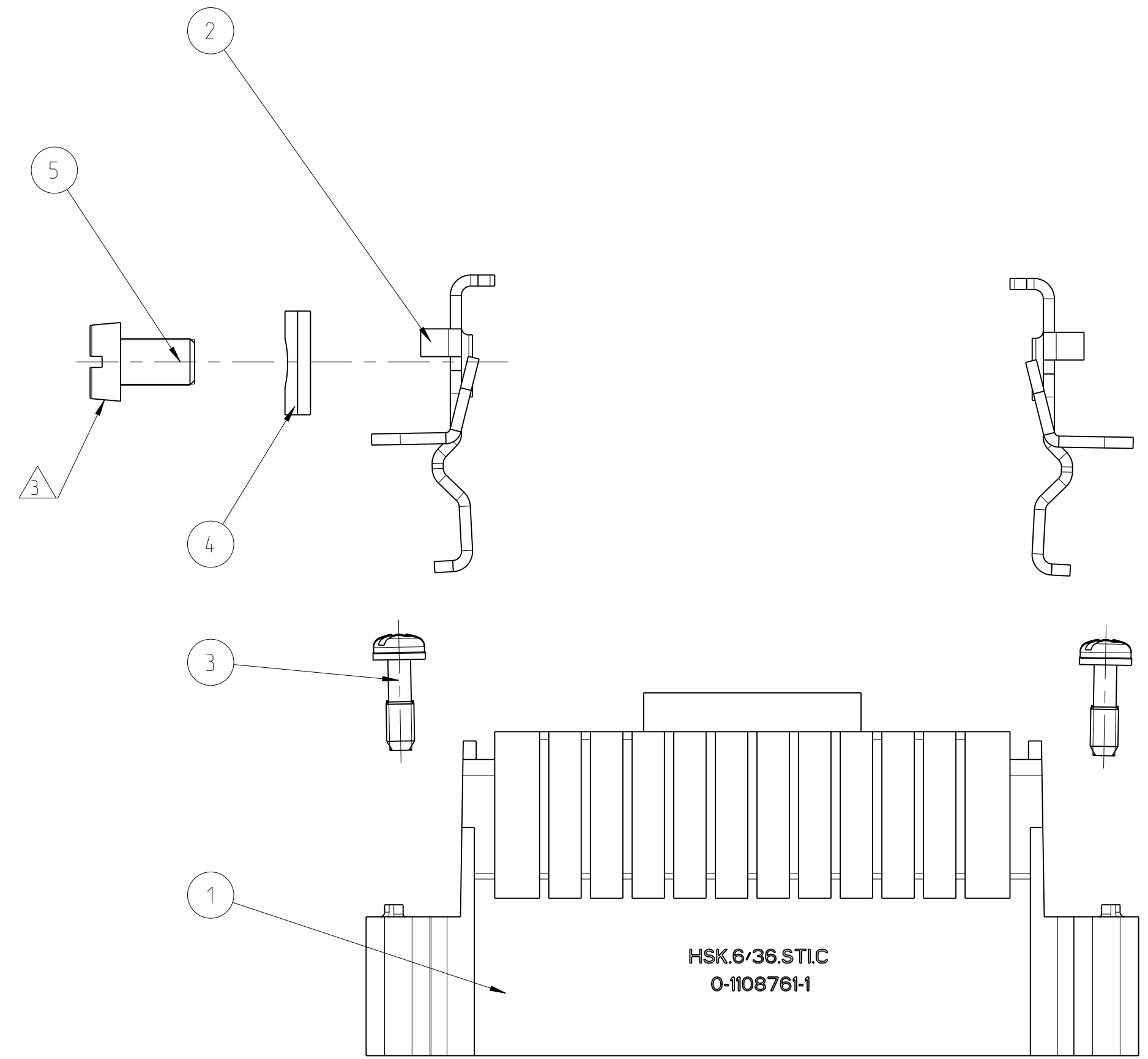
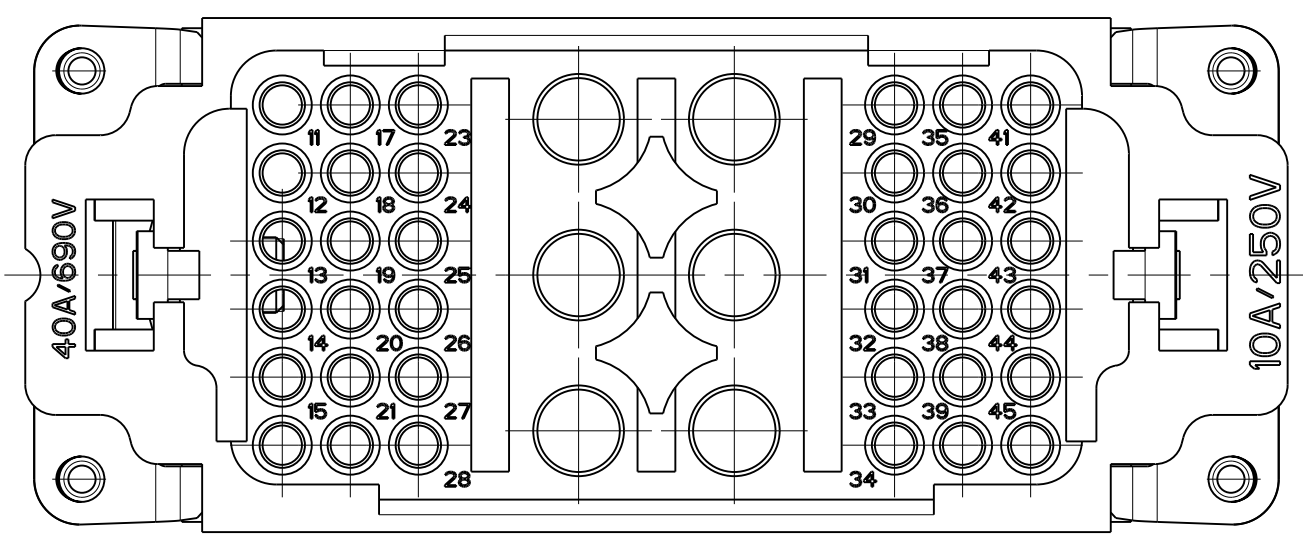
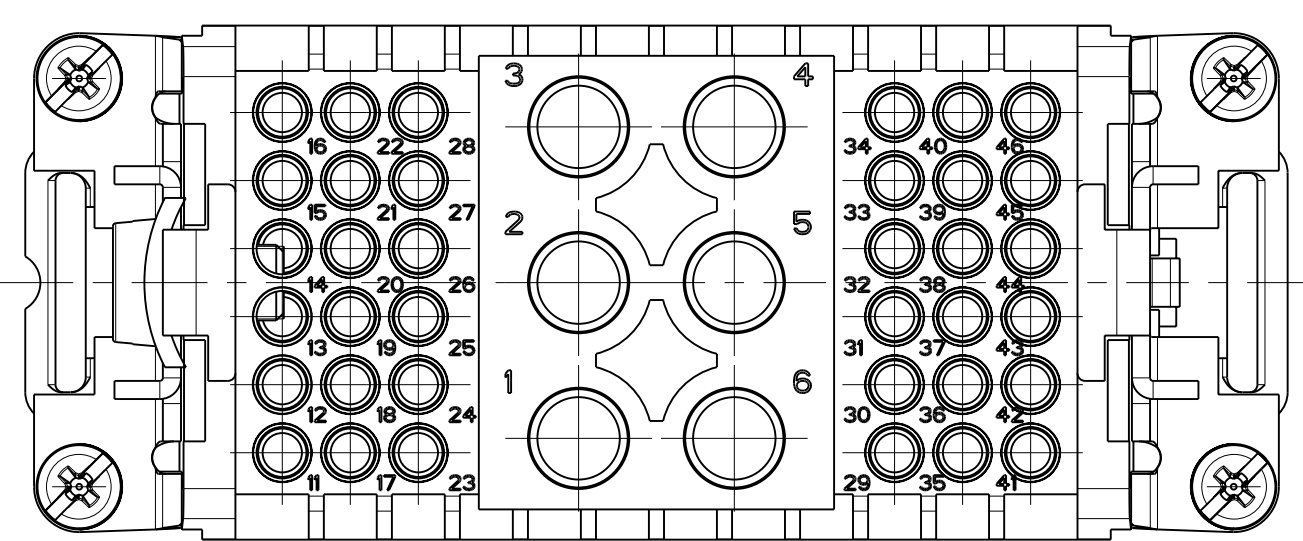


LOC	DIST	REVISIONS			
A1	-	REV	DATE	BY	APPV
		B1	ECR-09-026756	09FEB2010	SR ME

PANEL CUT-OUT FOR CONTACT INSERT
 WHEN USED WITHOUT HOUSING

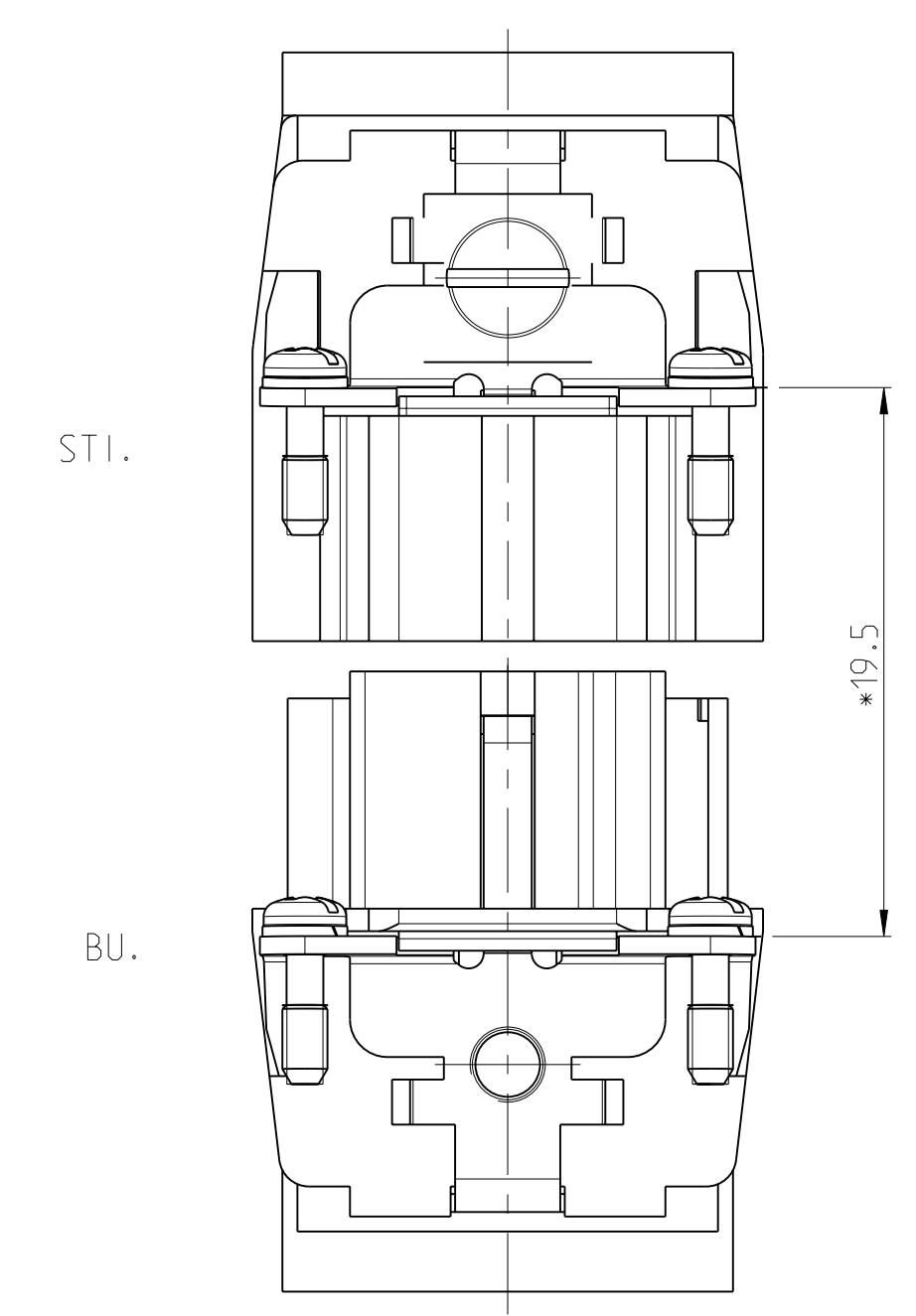


CONTACT ARRANGEMENT VIEW FROM
 TERMINATION SIDE



NOTES

- POVER CONTACT : 1 TO 12
 OUTER DIMENSIONS OF INSULATION: MAX. Ø6.5mm
 SIGNAL CONTACT: A AND B
 OUTER DIMENSIONS OF INSULATION: MAX. Ø3.2mm
- SUITABLE HOOD SIZE 6
 SERIES HB, HD, EMV, AND HIP
- △ GROUNDING CONTACT
- STANDARDS:
 DIN EN 61984; DIN EN 60664-1
- PACKAGING:
 5 PIECES IN A CARTON BOX



*DISTANCE ARRANGEMENT
 VIEW FROM TERMINATION SIDE

QTY	DESCRIPTION	MATERIAL	SURFACE	ITEM
5	CYLINDER SCREW, M5	STEEL	NICKEL PLATED	5
1	CLIP TAB	STEEL	NICKEL PLATED	4
4	FIXING SCREW ASSY	STEEL	NICKEL PLATED	3
2	GRUNDING CONTACT-SOCKET	Cu Zn37 F38	NICKEL PLATED	2
1	SOCKET INSERT	VALOX		1
0-1	HSK.6/36.Sti.C			

THIS DRAWING IS A CONTROLLED DOCUMENT. DWN: R.SCHNEIDER 09FEB2010
 CHN: T.SCHNURPELL 09FEB2010

STE TE Connectivity

MALE INSERT
 MALE INSERT HSK6/36

DIMENSIONS:	TOLERANCES UNLESS OTHERWISE SPECIFIED:	PRODUCT SPEC	NAME
mm	0 PLC ±	-	-
	1 PLC ±	-	-
	2 PLC ±	-	-
	3 PLC ±	-	-
	4 PLC ±	-	-
	ANGLES ±	-	-
	FINISH ±	-	-
MATERIAL		WEIGHT	SIZE CAGE CODE DRAWING NO RESTRICTED TO
-		-	A1 00779 C=1108761 -
		CUSTOMER DRAW ING	SCALE 5:1 SHEET 1 OF 1 REV B1