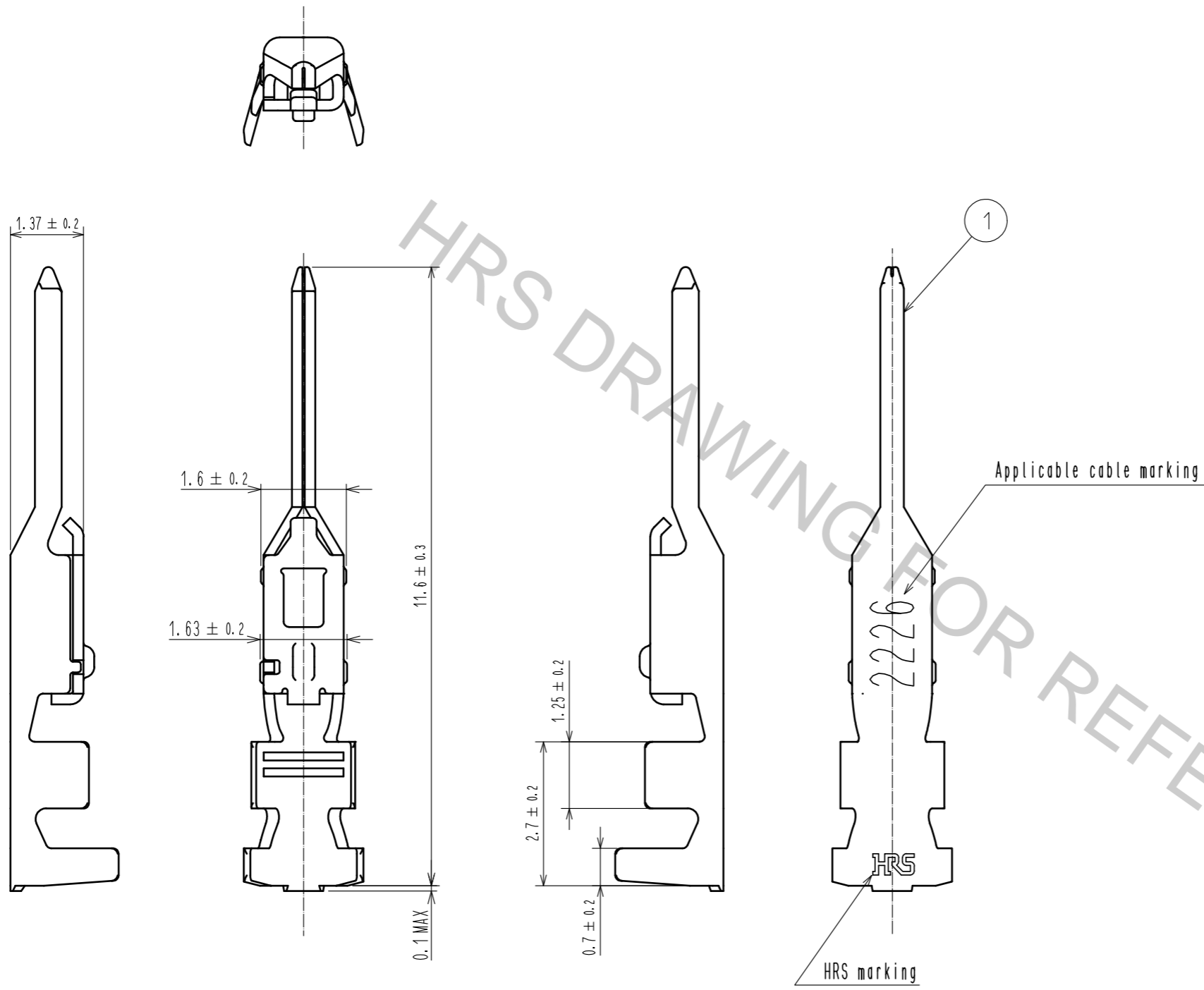


Apr.1.2017 Copyright 2017 HIROSE ELECTRIC CO., LTD. All Rights Reserved.



Note 1. Per pack : 100 pieces.

NO.		MATERIAL		FINISH . REMARKS		NO.		MATERIAL		FINISH . REMARKS			
		1		Copper alloy				Tin plating 1 μm MIN					
UNITS		SCALE		COUNT		DESCRIPTION OF REVISIONS		DESIGNED		CHECKED		DATE	
mm		10 : 1		△									
 HIROSE ELECTRIC CO., LTD.		APPROVED : KI. AKIYAMA		15.08.24		DRAWING NO.		EDC3-353733-00					
		CHECKED : TS. FUKUSHIMA		15.08.24		PART NO.		DF62W-EP2226PC					
		DESIGNED : YK. YAMAGUCHI		15.08.24		CODE NO.		CL544-1013-3-00					
		DRAWN : MI. SAKIMURA		15.08.24									