

Power Module Product List

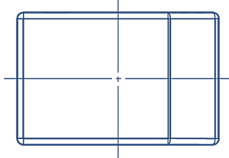
TAMURA CORPORATION OF AMERICA
1040 South Andreason Dr. Ste 100
Escondido, CA 92029

Contact: 1-800-472-6624
sales@tamuracorp.com

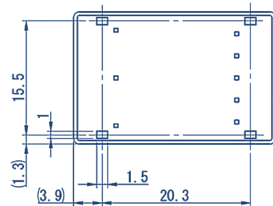
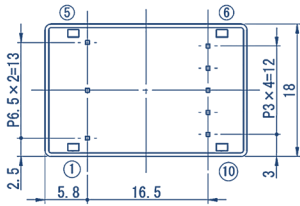
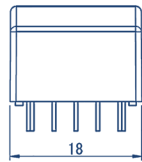
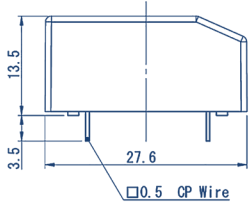
	Part Number	Main Specifications					Insulation (between Pri-Sec)
		Output Voltage	Rated Load	Output (Single or Multi)	External Type	RoHS Compliant	
SPM	<u>SPM0307SJ</u>	3.3V	0.7A	Single	S18S	YES	Reinforced insulation
	<u>SPM0507SJ</u>	5V	0.66A				Reinforced insulation
	<u>SPM1203SJ</u>	12V	0.28A				Reinforced insulation
	<u>SPM1502SJ</u>	15V	0.22A				Reinforced insulation
	<u>SPM2402SJ</u>	24V	0.15A				Basic insulation
EPM	<u>EPM0310SJ</u>	3.3V	1A	Single	FE19S	YES	Reinforced insulation
	<u>EPM0510SJ</u>	5V	1A		FE19S		Reinforced insulation
	<u>EPM1205SJ</u>	12V	0.5A		FE19S		Reinforced insulation
	<u>EPM1210SJ</u>	12V	1A		FE22S		Reinforced insulation
	<u>EPM1505SJ</u>	15V	0.5A		FE19S		Reinforced insulation
	<u>EPM1510SJ</u>	15V	1A		FE22S		Reinforced insulation
	<u>EPM2405SJ</u>	24V	0.5A		FE22S		Reinforced insulation
	<u>EPM120806D</u>	8V	0.05A	Multi	FE19D	YES	Reinforced insulation
		12V	0.5A				
	<u>EPM122410D</u>	12V	0.2A		FE22D		Reinforced insulation
		24V	0.1A				
	<u>EPM141626D</u>	13.5V	0.3A		FE22D		Basic insulation
		16V	0.12A				
BPM	<u>BPM0390SJ</u>	3.3V	9A	Single	B32S	YES	Reinforced insulation
	<u>BPM0580SJ</u>	5V	8A		B32S		Reinforced insulation
	<u>BPM1234SJ</u>	12V	3.4A		B32S		Reinforced insulation
	<u>BPM1527SJ</u>	15V	2.7A		B32S		Reinforced insulation
	<u>BPM2417SJ</u>	24V	1.7A		B32S		Reinforced insulation

Power Module Product List

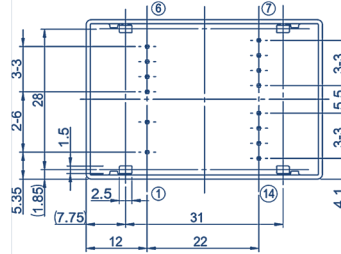
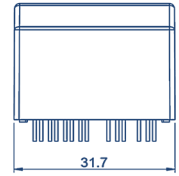
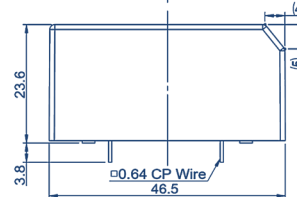
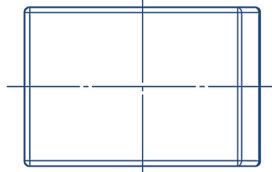
SPM Series External Dimensions



Note: 1. The dimensional tolerance without directions is $\pm 0.5\text{mm}$.

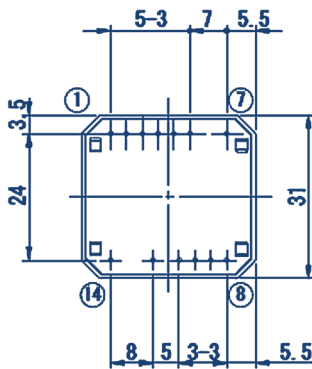
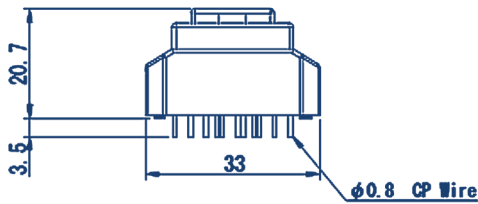


BPM Series External Dimensions



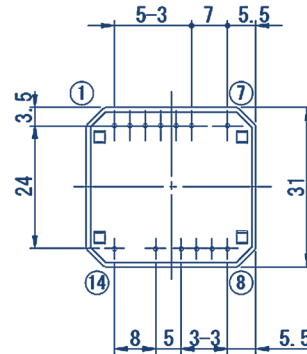
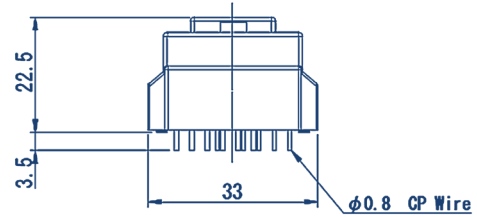
EPM Series External Dimensions

EF19S, EF19D



FE19S 1 ~ 3 : With no pin

EF22S, EF22D



FE22S 1 ~ 3 : With no pin