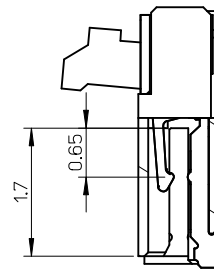
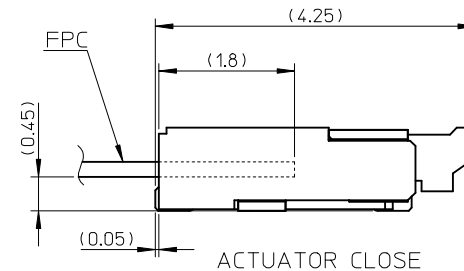
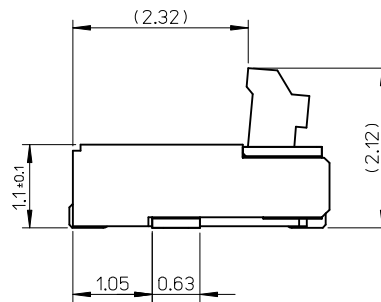
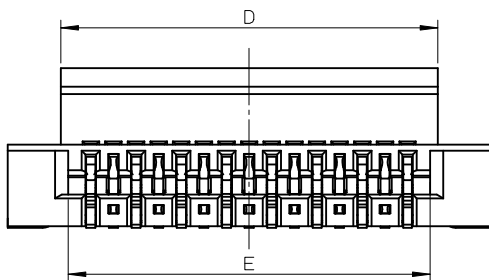


SECTION Z-Z



SECTION Y-Y



ACTUATOR CLOSE

15.6	15.8	14.4	15.0	17.2	501616-5185	501616-5150	51
13.8	14.0	12.6	13.2	15.4	501616-4585	501616-4550	45
12.6	12.8	11.4	12.0	14.2	501616-4185	501616-4150	41
12.0	12.2	10.8	11.4	13.6	501616-3985	501616-3950	39
10.8	11.0	9.6	10.2	12.4	501616-3585	501616-3550	35
E	D	(C)	(B)	A	EMBOSSED TAPE ORDER No.		MATERIAL NO. CIRCUIT

部品構成

- ハウジング・・・材質：耐熱性樹脂 黒色 UL94V-0
HOUSING MATERIAL :HEAT RESISTANT POLYMER BLACK UL94-V0
- 奇数ターミナル・・・材質：銅合金
ODD TERMINAL MATERIAL :COPPER ALLOY
処理：ニッケル下地部分金メッキ（接触部及びテール部）
FINISH :PARTLY GOLD(CONTACT,TAIL) OVER NICKEL PLATING
- 偶数ターミナル・・・材質：銅合金
EVEN TERMINAL MATERIAL:COPPER ALLOY
処理：ニッケル下地部分金メッキ（接触部及びテール部）
FINISH :PARTLY GOLD(CONTACT,TAIL) OVER NICKEL PLATING
- アクチュエータ・・・材質：耐熱性樹脂 灰色 UL94V-0
ACTUATOR MATERIAL :HEAT RESISTANT POLYMER GRAY UL94-V0
- ネイル・・・材質：銅合金
NAIL MATERIAL:COPPER ALLOY
処理：ニッケル下地すずめっき
FINISH :TIN OVER NICKEL PLATING

REVISED EC NO: J2015-1263 DRAWN:TAKAHASHI 2015/03/27 CHKD:K.TAKAHASHI 2015/03/27 APPR: YNOGAWA 2015/03/30	DESCRIPTION	GENERAL TOLERANCES (UNLESS SPECIFIED)	DIMENSION STYLE	SCALE	DESIGN UNITS	THIRD ANGLE PROJECTION
		0.25 UNDER ±0.03	MM ONLY	15:1	METRIC	
		0.25 OVER 0.5 UNDER ±0.05	DRAWN BY DATE	TITLE		
		0.5 OVER 1.0 UNDER ±0.1	K.SATO 2007/01/26	0.3 FPC CONN. E/O H=1.1 HSG ASSY LONG ACTUATOR		
		1.0 OVER 10 UNDER ±0.2	CHECKED BY DATE	DOCUMENT NO.		
	10 OVER 30 UNDER ±0.25	H.HIRATA 2007/01/26	SD-501616-007		SHEET NO.	
	30 OVER ±0.3	APPROVED BY DATE	SEE CHART		1 OF 2	
	ANGULAR ±3 °	M.SASAO 2007/01/26	THIS DRAWING CONTAINS INFORMATION THAT IS PROPRIETARY TO MOLEX INCORPORATED AND SHOULD NOT BE USED WITHOUT WRITTEN PERMISSION			
	DRAFT WHERE APPLICABLE MUST REMAIN WITHIN DIMENSIONS	MATERIAL NO.				

10 9 8 7 6 5 4 3 2 1

F

E

D

C

B

A

F

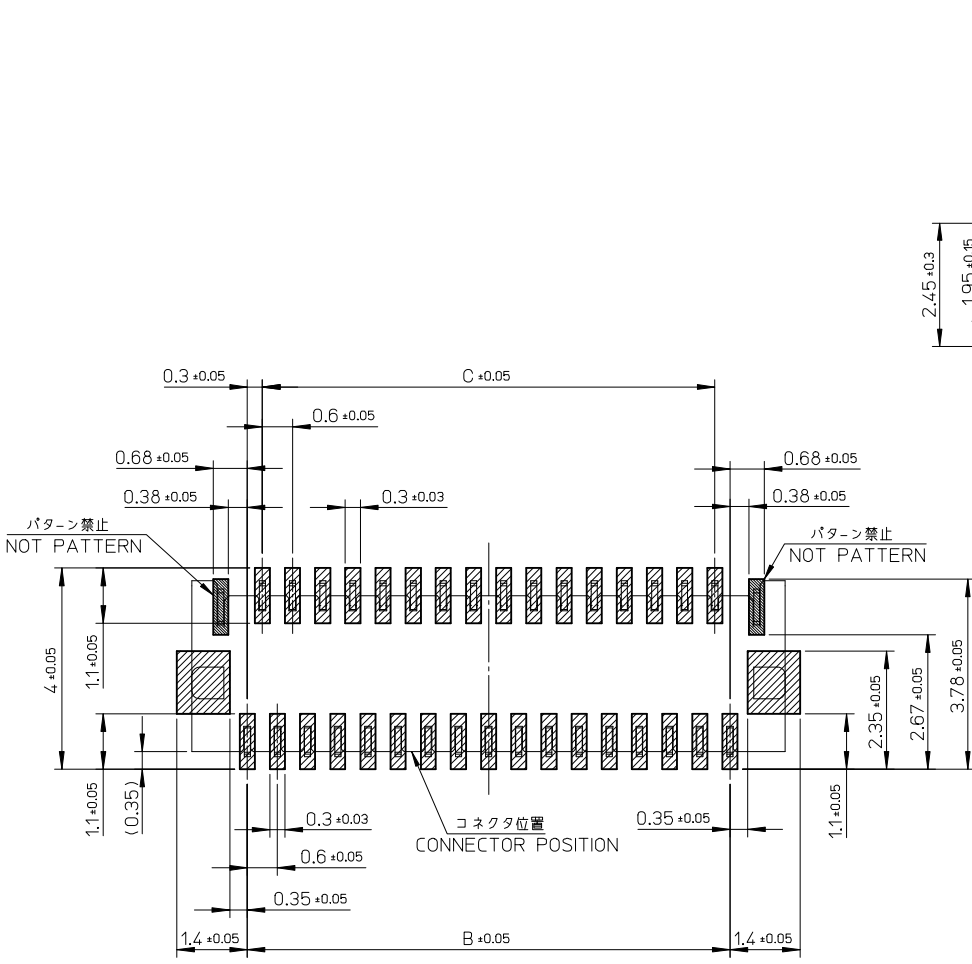
E

D

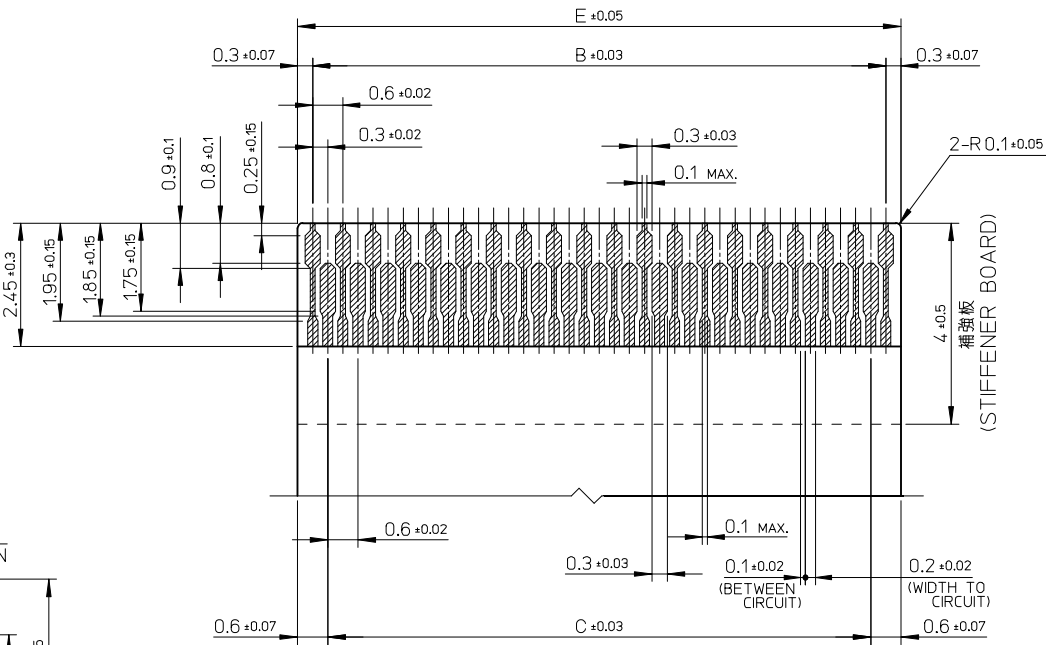
C

B

A



参考基板レイアウト(マウント面)
P.C.BOARD PATTERN
DIM.(REF.)



適合FPC推奨寸法
仕上がり厚さ : 0.2±0.03
APPLY FPC
RECOMMENDED DIM.
THICKNESS : 0.2±0.03

15.6	14.4	15.0	501616-5185	501616-5150	51
13.8	12.6	13.2	501616-4585	501616-4550	45
12.6	11.4	12.0	501616-4185	501616-4150	41
12.0	10.8	11.4	501616-3985	501616-3950	39
10.8	9.6	10.2	501616-3585	501616-3550	35
E	C	B	EMBOSSED TAPE ORDER No.		MATERIAL NO. CIRCUIT

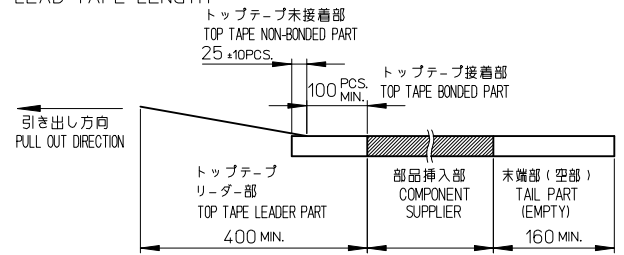
- 注記
- 基板実装前にアクチュエータを操作しないで下さい。
PLEASE DO NOT OPERATE THE ACTUATOR BEFORE MOUNTING.
必ず基板に実装し、FPCを挿入してからアクチュエータを操作して下さい。
PLEASE OPERATE THE ACTUATOR AFTER MOUNTING ON THE SUBSTRATE, AND MATING FPC.
 - ELV及びRoHS適合品
ELV AND RoHS COMPLIANT
 - 本製品は上面接触品です。下面接続で使用しないでください。
THIS CONNECTOR IS UPPER CONTACT TYPE.
PLEASE DO NOT USE AS LOWER CONTACT TYPE.

REVISED EC NO: J2015-1263 DRWN:MTAKAHASHI 04/2015/03/27 CHKD:K.TAKAHASHI 2015/03/27 APPR:YNOGAWA 2015/03/30	GENERAL TOLERANCES (UNLESS SPECIFIED)		DIMENSION STYLE MM ONLY		SCALE 10:1	DESIGN UNITS METRIC	THIRD ANGLE PROJECTION
	0.25 UNDER	±0.03	DRAWN BY K.SATO	DATE 2007/01/26	TITLE 0.3 FPC CONN. E/O H=1.1 HSG ASSY LONG ACTUATOR		
	0.25 OVER 0.5 UNDER	±0.05	CHECKED BY H.HIRATA	DATE 2007/01/26			
	0.5 OVER 1.0 UNDER	±0.1	APPROVED BY M.SASAO	DATE 2007/01/26			
1.0 OVER 10 UNDER	±0.2	MATERIAL NO.		DOCUMENT NO. SD-501616-007	SHEET NO. 2 OF 2		
10 OVER 30 UNDER	±0.25	SEE CHART		THIS DRAWING CONTAINS INFORMATION THAT IS PROPRIETARY TO MOLEX INCORPORATED AND SHOULD NOT BE USED WITHOUT WRITTEN PERMISSION			
30 OVER	±0.3	DRAFT WHERE APPLICABLE MUST REMAIN WITHIN DIMENSIONS					

9 8 7 6 5 4 3 2 1

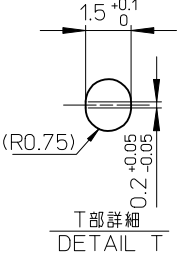
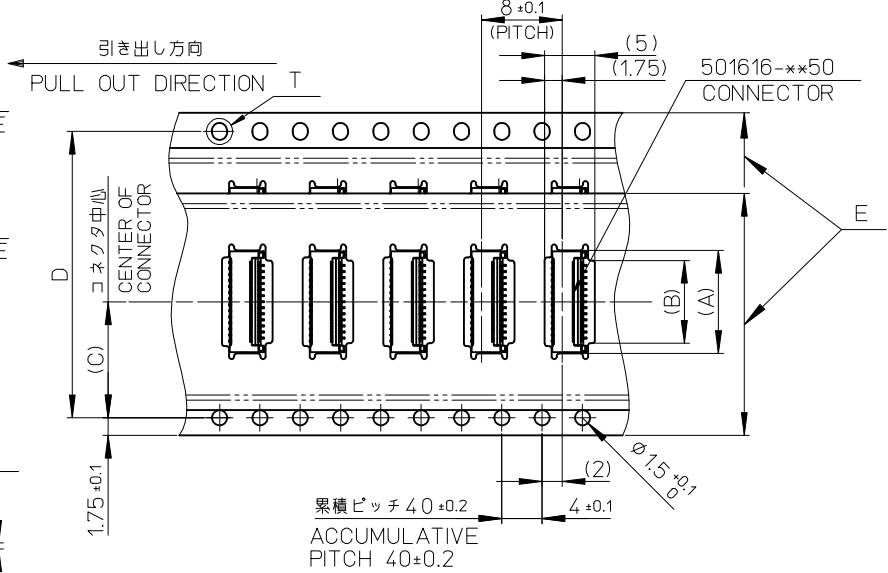
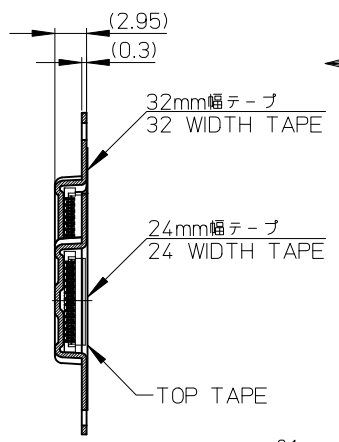
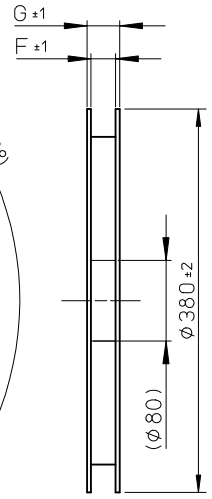
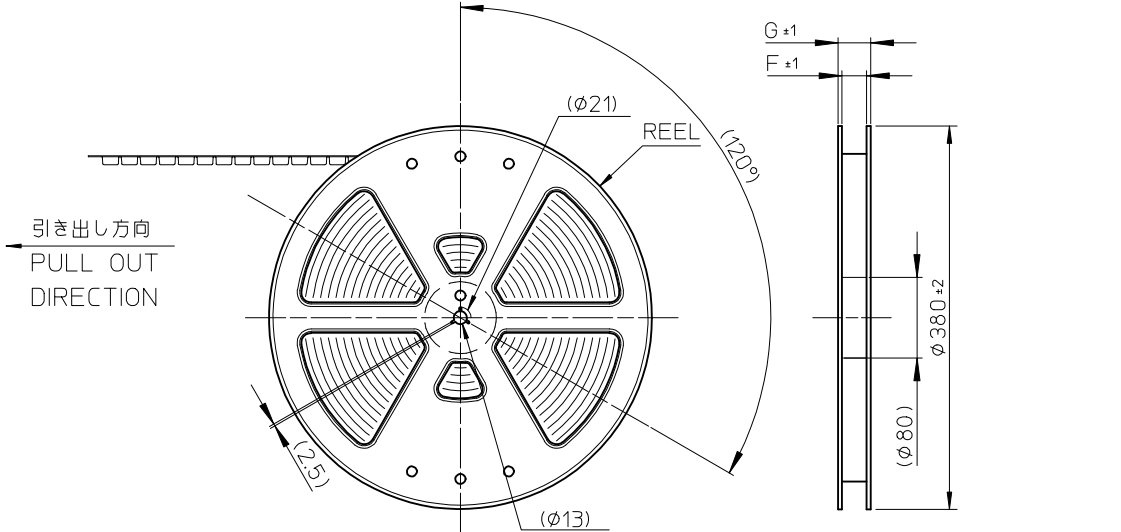
NOTES

- 製品 (501616-**50) の詳細寸法については、図面 SD-501616-007 をご参照下さい。
IN THE PACKAGE, PART NO. 501616-**50 DETAILED DIMENSIONS, REFER TO SALES DRAWING NO. SD-501616-007.
- 梱包数量 : 3000個/リール
NUMBER OF CONNECTORS : 3000 PCS/REEL
- リードテープ長さ
LEAD TAPE LENGTH



- 材料
キャリアテープ : ポリスチレン (PS)
トップテープ : PET, PE, PEF
リール : ポリスチレン (PS) <リサイクル材を含む>
MATERIAL
CARRIER TAPE : POLYSTYRENE (PS)
TOP TAPE : PET, PE, PEF
REEL : POLYSTYRENE (PS) <RECYCLE MATERIAL CONTAINED>
- ELV及びRoHS適合品
ELV AND RoHS COMPLIANT

37.4	33.4	32±0.3	28.4	14.2	15.4	17.4	501616-5185	51
					13.6	15.6	501616-4585	45
29.4	25.4	24±0.3	++	11.5	12.4	14.4	501616-4185	41
					11.8	13.8	501616-3985	39
					10.6	12.6	501616-3585	35
G	F	E キャリアテープ幅 EMBOSSED TAPE WIDTH	D	C	B	A	EMBOSSED PACKAGE オーダー番号 ORDER No.	極数 CIRCUIT



REVISED EC NO: J2009-1784 DRWN:MKAWABATA 2009/01/26 CHKD:HSHIROYAMA 2009/01/26 APPR:HSHIROYAMA 2009/01/26	GENERAL TOLERANCES (UNLESS SPECIFIED)	DIMENSION STYLE MM ONLY	SCALE ---	DESIGN UNITS METRIC	THIRD ANGLE PROJECTION
	10 UNDER ± ---	DRAWN BY K. SATO	DATE 2007/05/14	TITLE 0.3 FPC CONN. H=1.1 EMBSTP PKG (LONG-ACT)	
	10 OVER 30 UNDER ± ---	CHECKED BY H. HIRATA	DATE 2007/05/14	MOLEX INCORPORATED	
	30 OVER ± ---	APPROVED BY M. SASAO	DATE 2007/05/14	DOCUMENT NO. SD-501616-008	SHEET NO. 1 OF 1
ANGULAR ± --- °	DRAFT WHERE APPLICABLE MUST REMAIN WITHIN DIMENSIONS		SEE CHART		
SIZE A3	THIS DRAWING CONTAINS INFORMATION THAT IS PROPRIETARY TO MOLEX INCORPORATED AND SHOULD NOT BE USED WITHOUT WRITTEN PERMISSION				