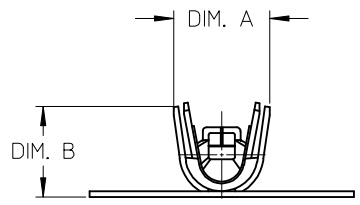
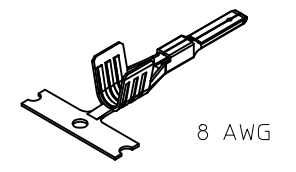
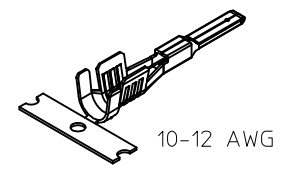
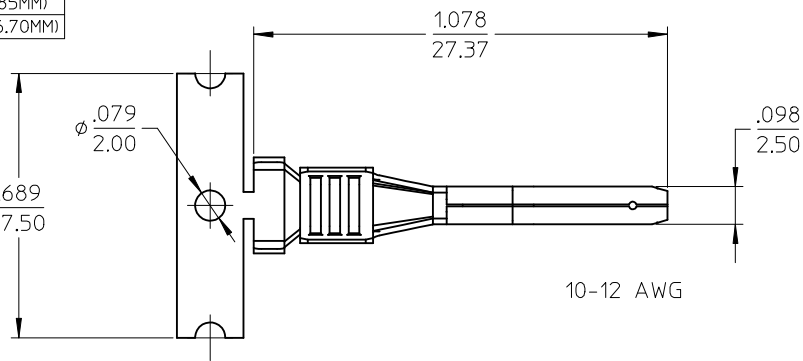
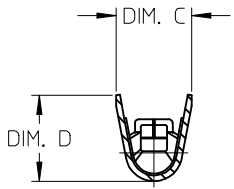


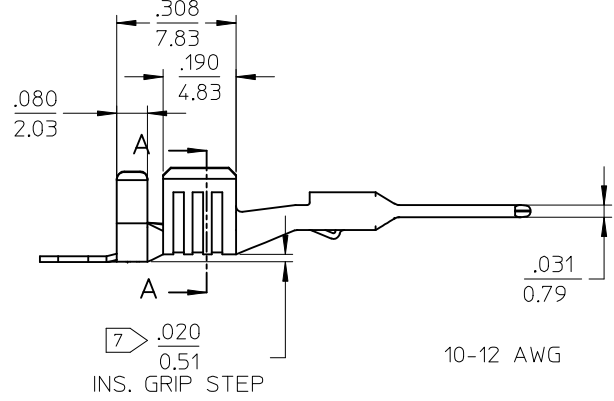
STRIP MATERIAL NUMBER	LOOSE PIECE MATERIAL NUMBER	AWG SIZE	DIM. "A"	DIM. "B"	DIM. "C"	DIM. "D"	WIRE INSULATION DIAMETER
194310001	194310016	10-12	.250/6.35	.236/6.00	.197/5.00	.226/5.74	.153-.191" (3.90-4.85MM)
194310015	194310017	8	N/A	N/A	.240/6.10	.276/7.00	.248-.264" (6.30-6.70MM)



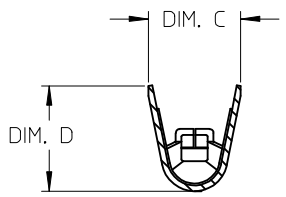
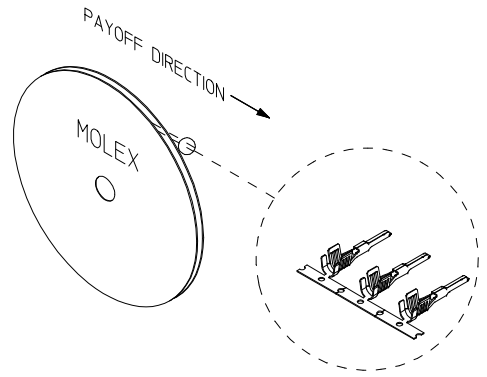
INSULATION CRIMP



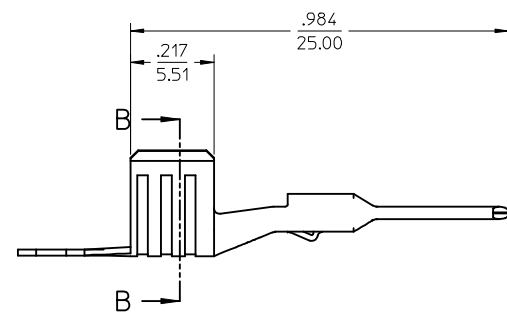
CONDUCTOR CRIMP SECTION A-A



10-12 AWG



CONDUCTOR CRIMP ONLY SECTION B-B



8 AWG SAME AS 10-12 AWG EXCEPT AS NOTED

- NOTES:
- MATERIAL: COPPER ALLOY.
 - FINISH: PREPLATED AND REFLOWED OVERALL, 100µ TIN OVER 50µ NICKEL, MINIMUM.
 - TERMINAL FOR USE WITH 19433-**** PLUG HOUSING ASSEMBLY.
 - PRODUCT SPECIFICATION: PS-19431-001.
 - PACKAGING SPECIFICATION: PK-19434-001 FOR LOOSE TERMINALS. STRIP PARTS ARE REELED 2500 TERMINALS PER REEL.
 - APPLICATION TOOLING AND CRIMP SPECIFICATIONS: CONSULT FACTORY.
 - FOR 10-12 AWG TERMINAL: INSULATION GRIP STEP DIMENSION NOT TO BE ALTERED BY CRIMP PROCESS.
 - ALL DIMENSIONS ARE REFERENCE.

ADD NOTES 7 & 8 EC NO: IPG2013-1364 DRWN: WLEUNG 2013/06/11 CHKD: BRUPERT 2013/09/06 APPR: JFMURPHY 2013/12/26	QUALITY SYMBOLS	GENERAL TOLERANCES (UNLESS SPECIFIED) 4 PLACES ± --- ± --- 3 PLACES ± --- ± .010 2 PLACES ± 0.25 ± .02 1 PLACE ± 0.5 ± --- ANGULAR ± 3°	SCALE 4:1	DESIGN UNITS INCH	THIRD ANGLE PROJECTION	REVISE ON CAD ONLY	
			mm	INCH	DIMENSION STYLE IN/MM		
		▽ = 0		DRAWN BY BRUPERT	DATE 01/25/05	TITLE MALE PIN TERMINAL MX150L 12-10 & 8 AWG, .098/2.50 X .031/0.79	
		∇ = 0		CHECKED BY JPAWLICK	DATE 01/25/05	MOLEX MOLEX INCORPORATED	
		DRAFT WHERE APPLICABLE MUST REMAIN WITHIN DIMENSIONS	APPROVED BY RDEROSS	DATE 01/25/05	MATERIAL NO. SEE CHART	DOCUMENT NO. SD-19431-002	
			THIS DRAWING CONTAINS INFORMATION THAT IS PROPRIETARY TO MOLEX INCORPORATED AND SHOULD NOT BE USED WITHOUT WRITTEN PERMISSION		SHEET NO. 1 OF 1		