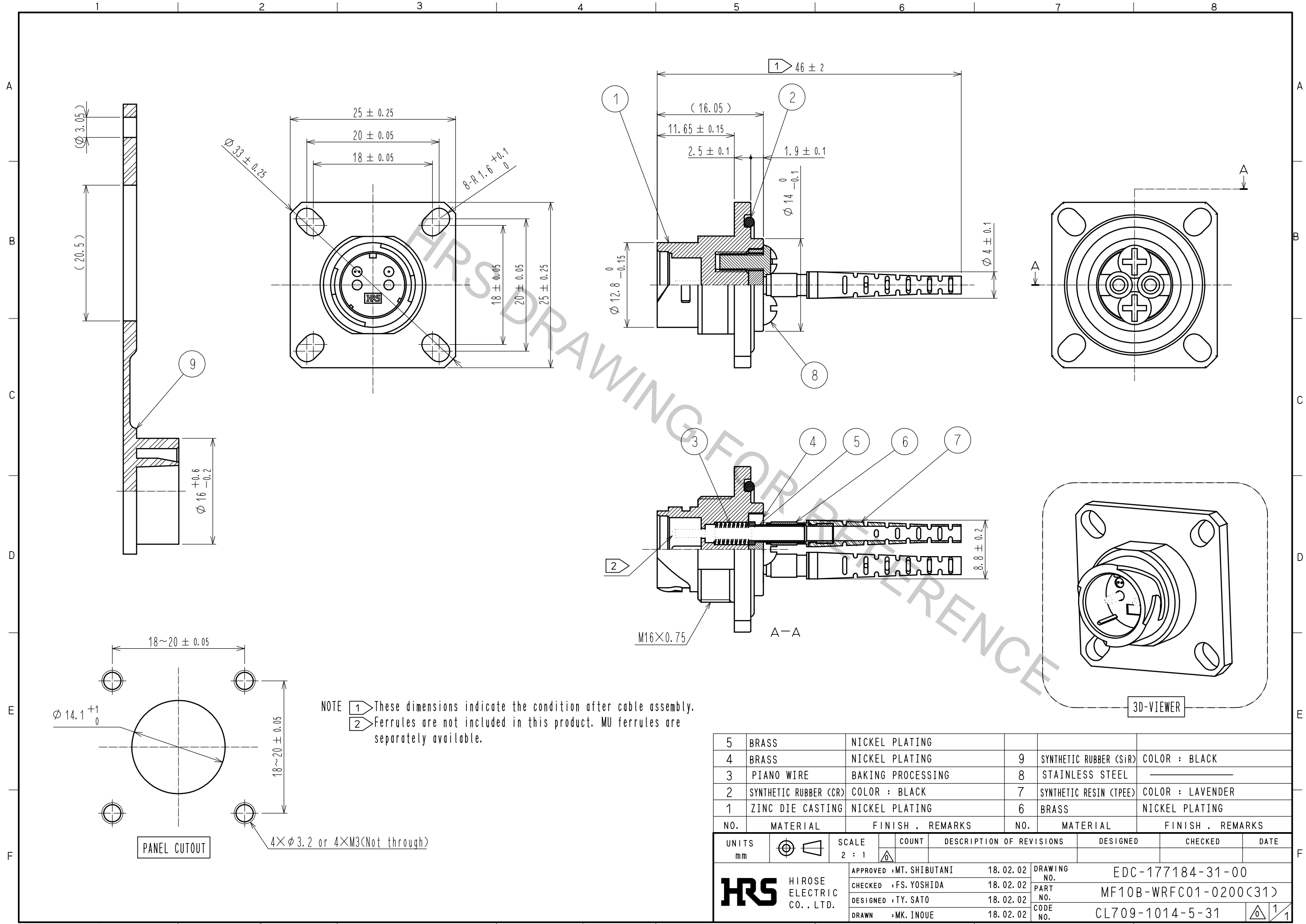


Aug.1.2018 Copyright 2018 HIROSE ELECTRIC CO., LTD. All Rights Reserved.  
 In case that the application demands a high level of reliability, such as automotive,  
 please contact a company representative for further information.



NOTE 1 These dimensions indicate the condition after cable assembly.  
 2 Ferrules are not included in this product. MU ferrules are separately available.

5	BRASS	NICKEL PLATING			
4	BRASS	NICKEL PLATING	9	SYNTHETIC RUBBER (SIR)	COLOR : BLACK
3	PIANO WIRE	BAKING PROCESSING	8	STAINLESS STEEL	
2	SYNTHETIC RUBBER (CR)	COLOR : BLACK	7	SYNTHETIC RESIN (TPEE)	COLOR : LAVENDER
1	ZINC DIE CASTING	NICKEL PLATING	6	BRASS	NICKEL PLATING
NO.	MATERIAL	FINISH . REMARKS	NO.	MATERIAL	FINISH . REMARKS

UNITS mm		SCALE 2 : 1	COUNT 	DESCRIPTION OF REVISIONS	DESIGNED	CHECKED	DATE
<b>HRS</b> HIROSE ELECTRIC CO., LTD.		APPROVED : MT. SHIBUTANI	18.02.02	DRAWING NO.	EDC-177184-31-00		
		CHECKED : FS. YOSHIDA	18.02.02	PART NO.	MF10B-WRFC01-0200(31)		
		DESIGNED : TY. SATO	18.02.02	CODE NO.	CL709-1014-5-31		
		DRAWN : MK. INOUE	18.02.02				