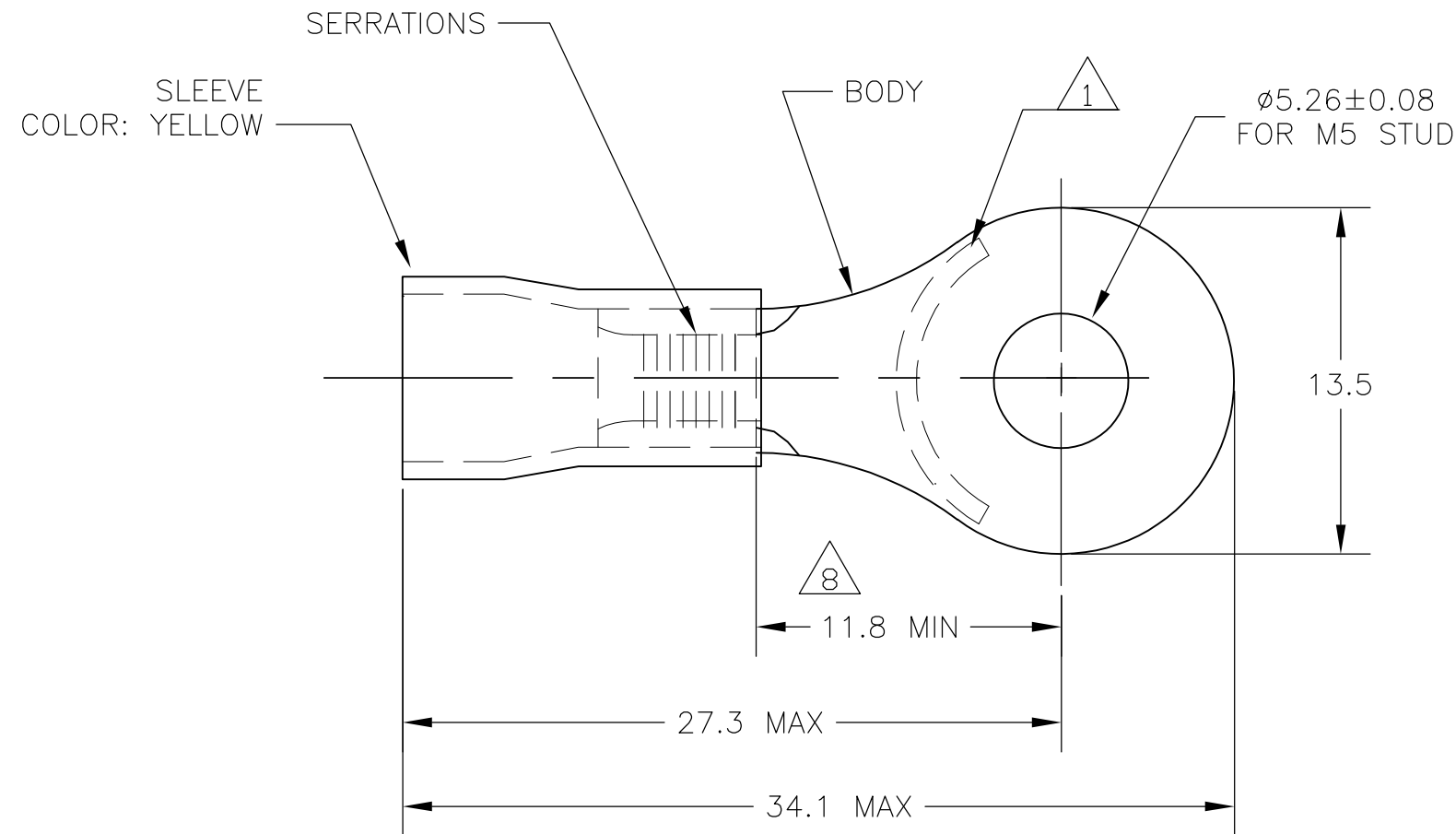


THIS DRAWING IS UNPUBLISHED. RELEASED FOR PUBLICATION  
 © COPYRIGHT - By - ALL RIGHTS RESERVED.

LOC	DIST	REVISIONS			
P	LTR	DESCRIPTION	DATE	DWN	APVD
G	14	B1	REVISED PER ECO-11-005027	11MAR11	RK HMR



- 1 STAMP "AMP 12-10\*", LOCATION APPROX AS SHOWN.
- 2 WIRE INSULATION DIA 3.8-6.4
- 3 OPERATING TEMPERATURE 90°C MAX
- 4 VOLTAGE RATING 600V MAX
- 5 CMA 2.62-6.64mm<sup>2</sup> [5,180-13,100]
- 6 MATERIAL:  
BODY - COPPER PER ASTM B-152  
INSULATION - PVC
- 7 FINISH:  
BODY - TIN PL PER ASTM B-545  
INSULATION - COLOR-YELLOW
- 8 APPLIES FROM EDGE OF METAL WIRE BARREL TO CENTER OF STUD HOLE.
- 9 MATERIAL THICKNESS IS 1.00±0.05

LOOSE PIECE	160293
PACKAGE TYPE	PART NO

THIS DRAWING IS A CONTROLLED DOCUMENT.		DWN	jr ruth	19NOV08	
DIMENSIONS: MM		CHK	T MICHIELUTTI	19NOV08	
		APVD	T MICHIELUTTI	19NOV08	
TOLERANCES UNLESS OTHERWISE SPECIFIED:		PRODUCT SPEC		NAME	
0 PLC ± - 1 PLC ± - 2 PLC ± 0.20 3 PLC ± - 4 PLC ± - ANGLES ± 5°		APPLICATION SPEC		TERMINAL RING TONGUE, PLASTI-GRIP, WIRE SIZE 12:10	
MATERIAL	FINISH	WEIGHT	-		SIZE A3 CAGE CODE 00779 DRAWING NO C-160293 RESTRICTED TO -
CUSTOMER DRAWING			SCALE	4:1	SHEET 1 of 1 REV B1