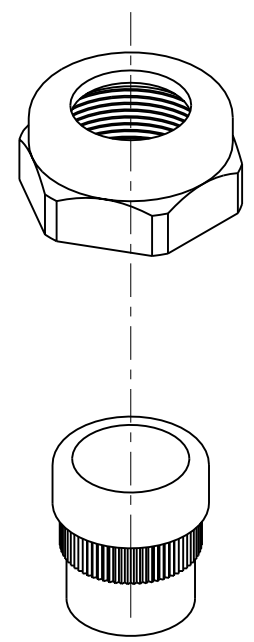
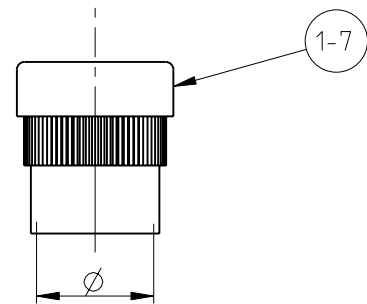
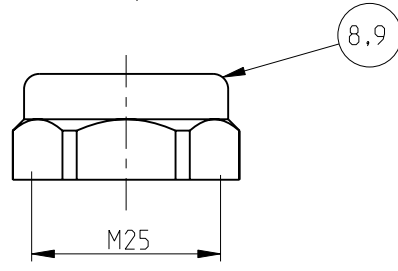
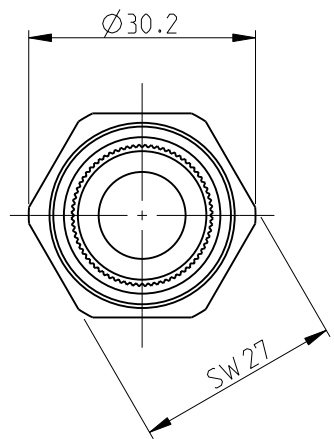


THIS DRAWING IS UNPUBLISHED. RELEASED FOR PUBLICATION
 © COPYRIGHT 2000 BY TYCO ELECTRONICS CORPORATION. ALL RIGHTS RESERVED.

LOC	DIST	REVISIONS			
P	LTR	DESCRIPTION	DATE	DWN	APVD
A1	-	B3	PN 1-1 - 1-6 ADDED ECR - 027109	27OCT2008	GW ST



Notes
 1 PACKAGING:
 10 SETS IN A CARTON

PN: 0-1 as shown

1-6	1-5	1-4	1-3	1-2	1-1	0-7	0-6	0-5	0-4	0-3	0-2	0-1	DESCRIPTION	max./min.Ø	MATERIAL	COLOR	ITEM NO
													GLAND NUT	-	PA6.6-GF25	LIGHT-GREY	9
						1	1	1	1	1	1	1	GLAND NUT	-	PA6.6-GF25	BLACK	8
													SEAL INSERT	15.5	PVC	WHITE	7
1							1						SEAL INSERT	15.5 - 11.5	PVC	WHITE	6
	1							1					SEAL INSERT	13.0 - 9.0	PVC	RED	5
		1							1				SEAL INSERT	10.5 - 7.0	PVC	GREEN	4
			1							1			SEAL INSERT	9.5 - 6.5	PVC	BLACK	3
				1							1		SEAL INSERT	8.0 - 5.0	PVC	GREY	2
					1							1	SEAL INSERT	6.5 - 4.0	PVC	YELLOW	1

HG-Q8.M25.15.5/11.5	grey
HG-Q8.M25.13.0/9.0	grey
HG-Q8.M25.10.5/7.0	grey
HG-Q8.M25.9.5/6.5	grey
HG-Q8.M25.8.0/5.0	grey
HG-Q8.M25.6.5/4.0	grey
HG-Q8.M25.15.5/11.5	SO
HG-Q8.M25.15.5/11.5	
HG-Q8.M25.13.0/9.0	
HG-Q8.M25.10.5/7.0	
HG-Q8.M25.9.5/6.5	
HG-Q8.M25.8.0/5.0	
HG-Q8.M25.6.5/4.0	

THIS DRAWING IS A CONTROLLED DOCUMENT FOR TYCO ELECTRONICS CORPORATION IT IS SUBJECT TO CHANGE AND THE CONTROLLING ENGINEERING ORGANIZATION SHOULD BE CONTACTED FOR THE LATEST REVISION.

DIMENSIONS: mm

TOLERANCES UNLESS OTHERWISE SPECIFIED:
 n.ISO 8015:
 n.ISO 2768-mH-E:
 n.DIN 16901-120

0 PLC	±
1 PLC	±
2 PLC	±
3 PLC	±
4 PLC	±
ANGLES	±

MATERIAL FINISH -

DWN Schneider 23.11.04
 CHK Schweiger 31.01.05
 APVD T. Schnurpfel 31.01.05

Tyco / Electronics AMP GmbH
 D - 53819, Neunkirchen, Germany

NAME SET GLAND M 25 SERIES HG-Q

PRODUCT SPEC 108-74052
 APPLICATION SPEC 114-74064

WEIGHT 0.006 KG

SIZE A3 CAGE CODE 00779 DRAWING NO C=1103074 RESTRICTED TO

CUSTOMER DRAWING SCALE 2:1 SHEET 1 OF 1 REV B3