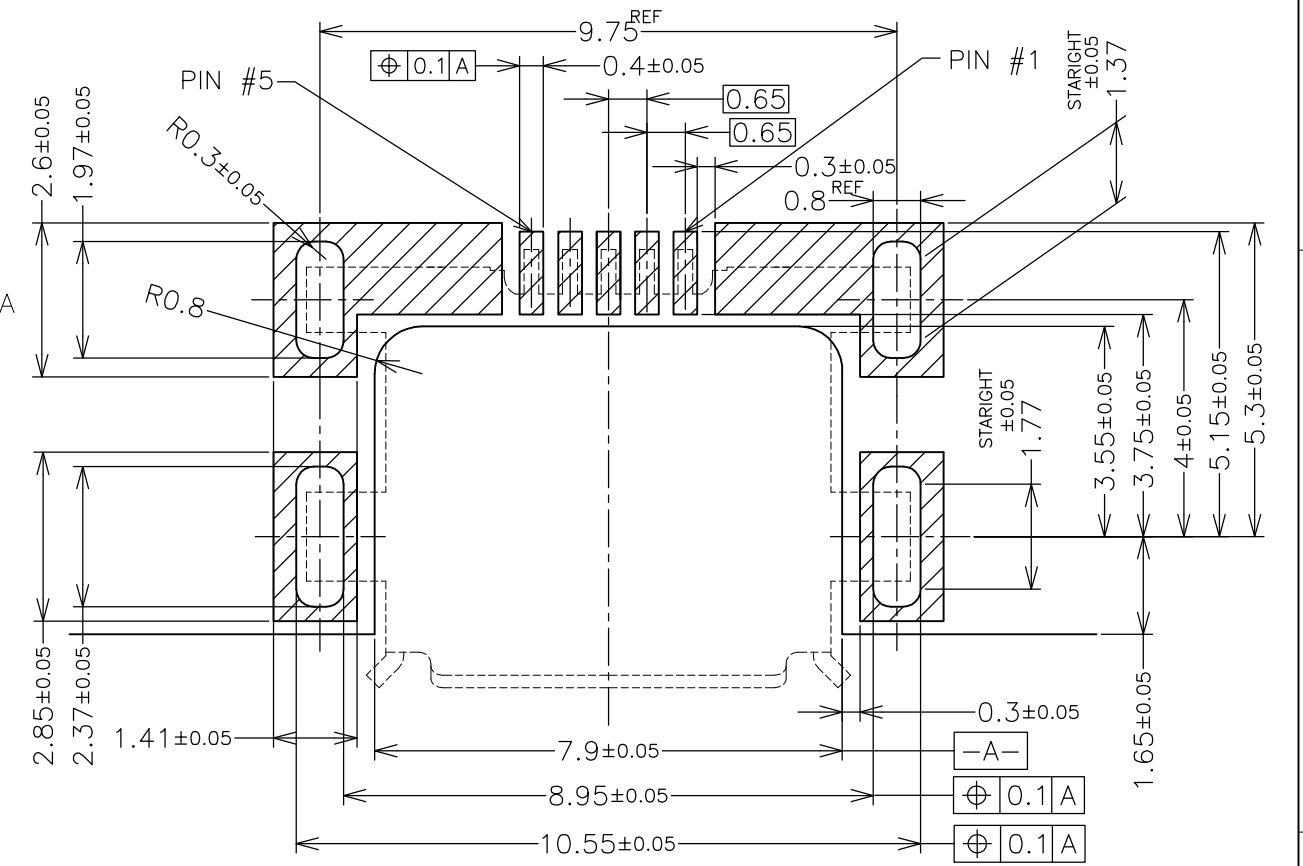
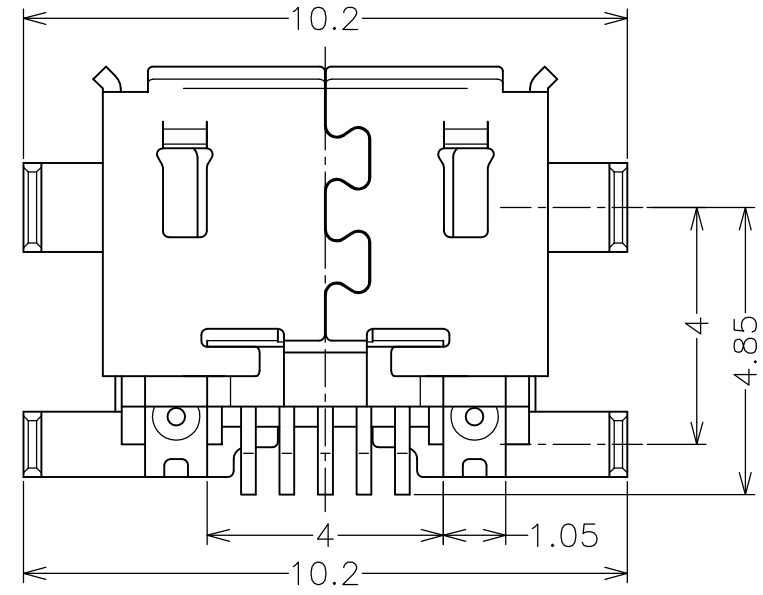
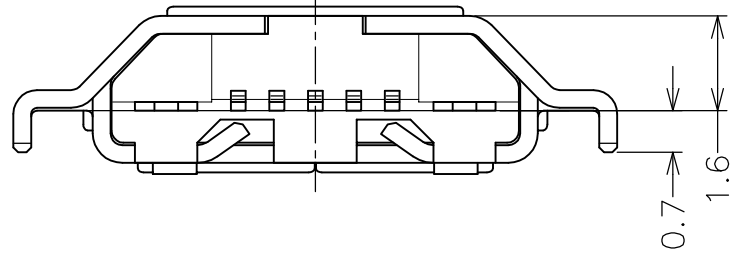
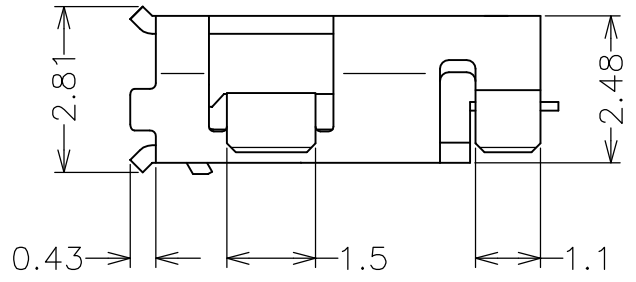
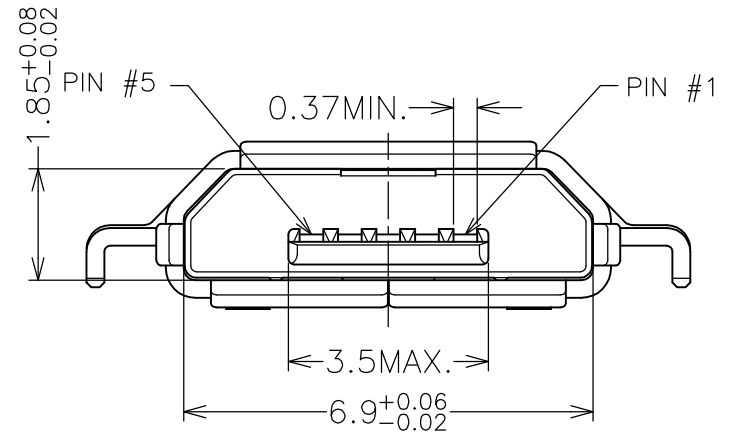
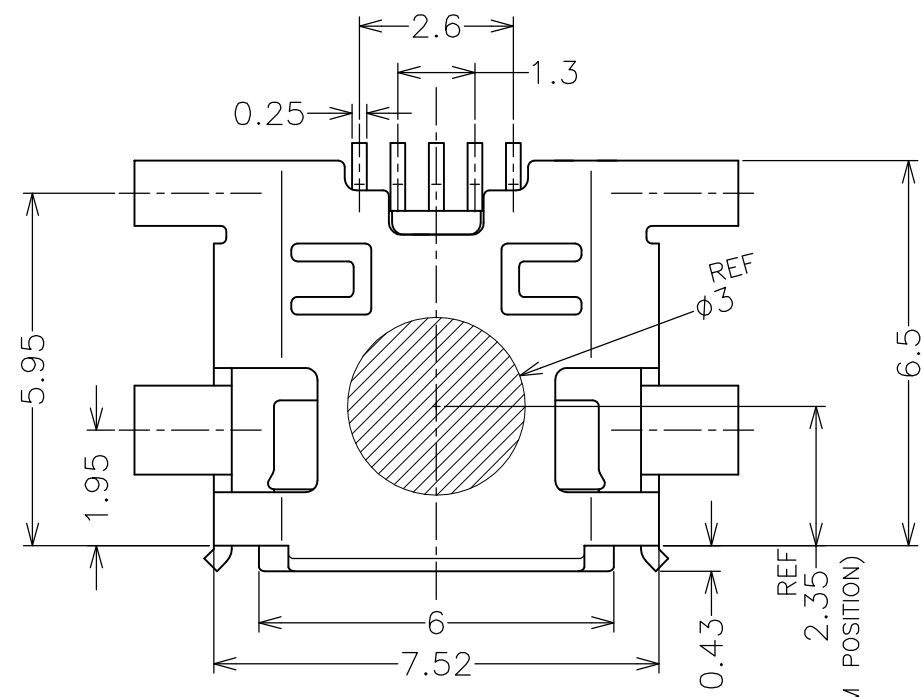


LOC	DIST	REVISIONS			
P	LTR	DESCRIPTION	DATE	DWN	APVD
ES	00	B	RELEASED PER ECR-11-023984	22DEC10	T.Q S.Y

- GENERAL TOLERANCE : ± 0.3
- CONTACT TINE COPLANALITY ; 0.08mmMAX
- MATERIAL
 HOUSING: THERMO-PLASTICS,UL94V-0
 CONTACT: COPPER ALLOY
 SHELL: COPPER ALLOY
- FINISH
 CONTACT ; Ni UNDER PLATING ALL OVER
 Au PLATING ON SOLDERING AREA
 Au PLATING ON CONTACT AREA
 SHELL ; Ni UNDER PLATING ALL OVER
 Sn PLATING ALL OVER
- PREVENTION OF WRENCHING
 PLEASE SET THE CASE TO TOP SIDE AND
 BOTTOM SIDE OF CONNECTOR.



RECOMMENDED PATTERN LAYOUT

THIS DRAWING IS A CONTROLLED DOCUMENT.		DWN	Tommy Qian	22DEC2010	Tyco Electronics Corporation Shanghai, P.R.China 200233
DIMENSIONS: mm		CHK	Martin Li	22DEC2010	
TOLERANCES UNLESS OTHERWISE SPECIFIED:		APVD	Steven Yao	22DEC2010	
0 PLC ± 0.3 1 PLC ± 0.3 2 PLC ± 0.3 3 PLC ± 0.3 4 PLC ± 0.3 ANGLES $\pm 3'$		PRODUCT SPEC 108-78434		NAME MICRO USB CONNECTOR MID-MOUNT DIP REVERSE TYPE	
MATERIAL		FINISH		APPLICATION SPEC WEIGHT CUSTOMER DRAWING	SIZE A3
				CAGE CODE 00779	DRAWING NO C-1554266
				RESTRICTED TO —	SCALE 8:1
				SHEET 1 of 2	REV B

4

3

2

1

THIS DRAWING IS UNPUBLISHED.

RELEASED FOR PUBLICATION

LOC

DIST

REVISIONS

© COPYRIGHT BY TYCO ELECTRONICS CORPORATION. ALL RIGHTS RESERVED.

ES

00

P

LTR

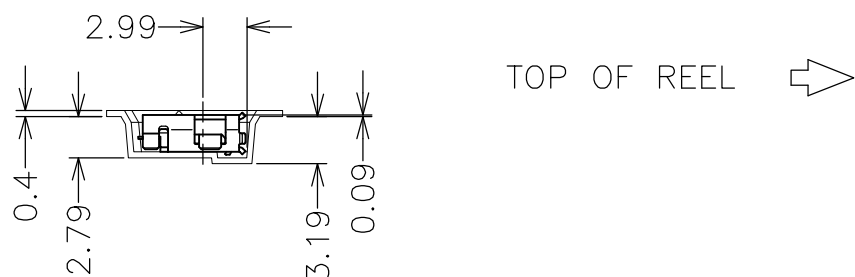
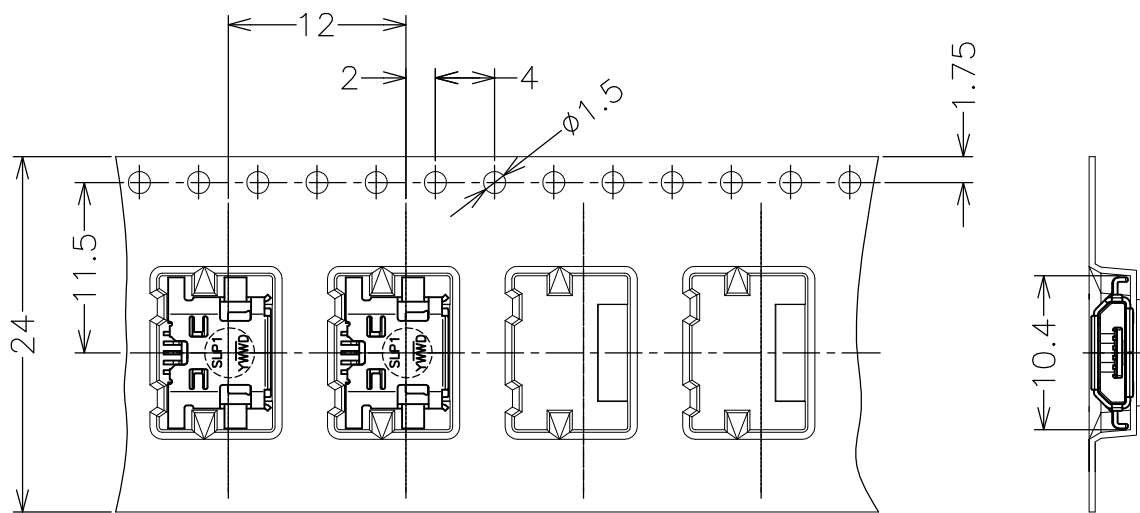
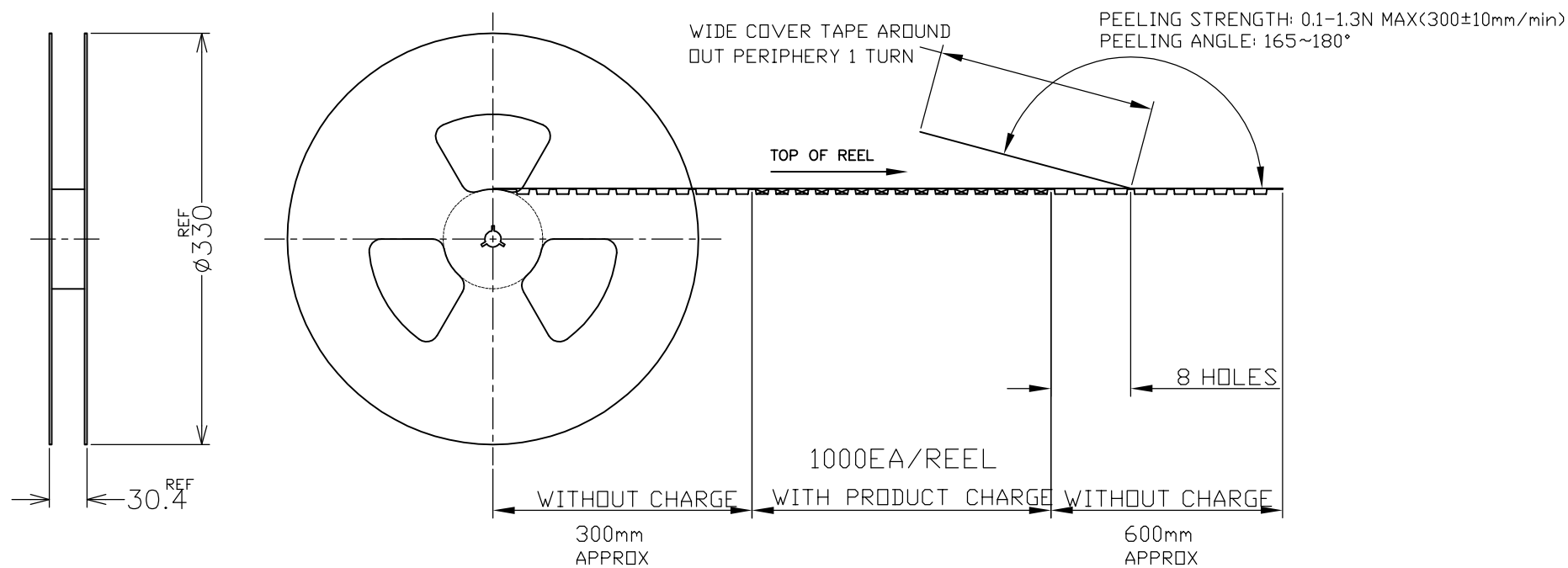
DESCRIPTION

DATE

DWN

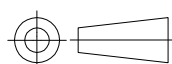
APVD

SEE SHEET 1



THIS DRAWING IS A CONTROLLED DOCUMENT.

DIMENSIONS:
mm



MATERIAL

TOLERANCES UNLESS OTHERWISE SPECIFIED:

- 0 PLC ± -
- 1 PLC ± -
- 2 PLC ± -
- 3 PLC ± -
- 4 PLC ± -
- ANGLES ± -

FINISH

DWN	-
CHK	-
APVD	-
PRODUCT SPEC	-
APPLICATION SPEC	-
WEIGHT	-
CUSTOMER DRAWING	



Tyco Electronics Corporation
Shanghai, P.R.China 200233

NAME
MICRO USB CONNECTOR
MID-MOUNT DIP
REVERSE TYPE

SIZE	CAGE CODE	DRAWING NO	RESTRICTED TO
A3	00779	C=1554266	-

SCALE 8:1 SHEET 2 of 2 REV B