

1 2 3 4 5 6

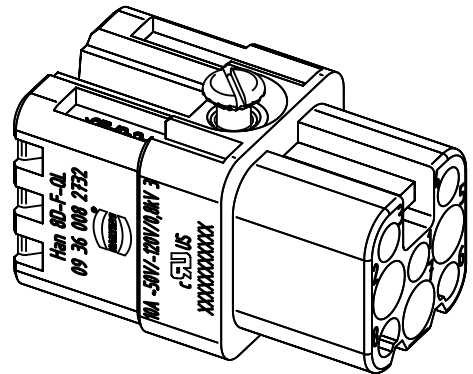
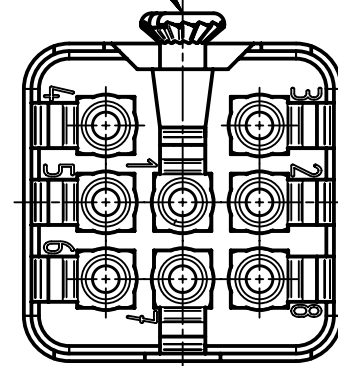
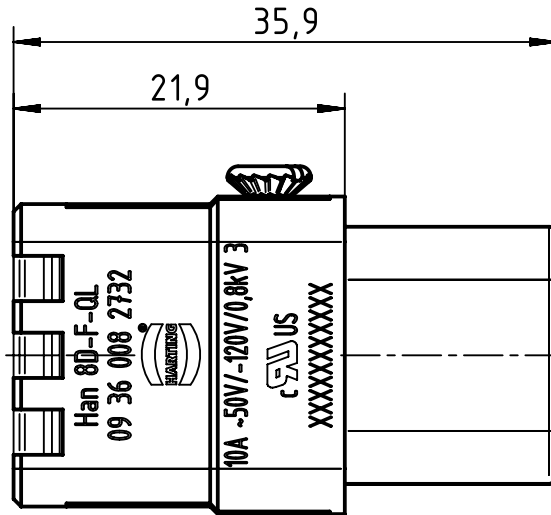
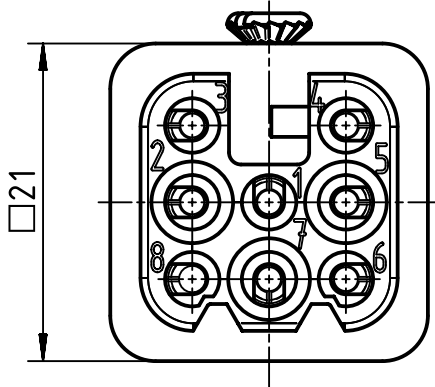
A


B

C

D

insert fixing screw M3x6
separately enclosed



	All Dimensions in mm Original Size DIN A4		Scale 2:1	Free size tol.		Ref.
	All rights reserved Department EL PD - DE		Created by RULLKOETTER	Inspected by BERGHORN	Standardisation TIEMANNA	Date 2015-01-07
HARTING Electric GmbH & Co. KG D-32339 Espelkamp			Title Han 8D-F Quick Lock 22 - 16 AWG			Doc-Key / ECM-Nr. 100172085/UGD/005/A 500000082990
			Type TB	Number 09 36 008 2732		Rev. A Page 1/1