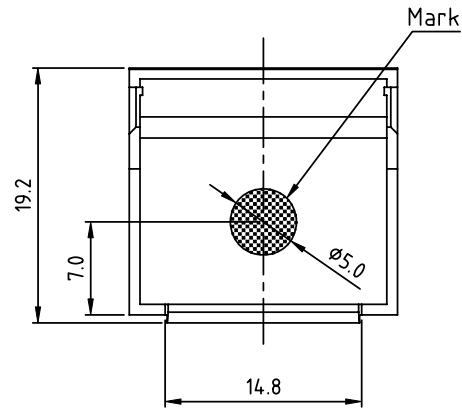
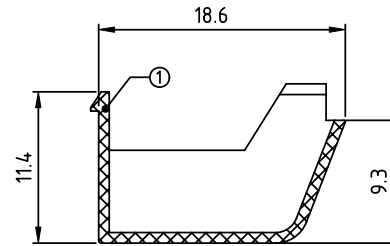
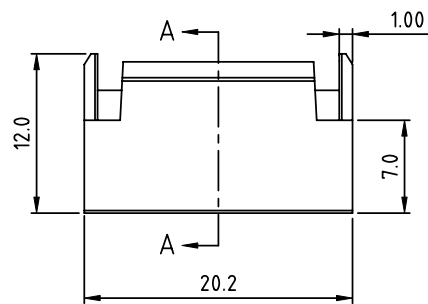
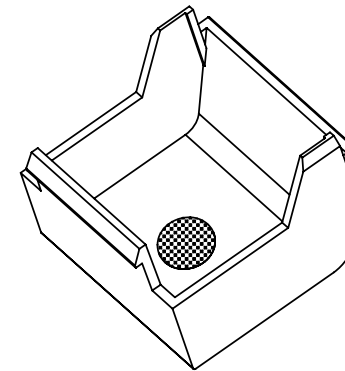


PRODUCT NUMBER	PITCH
ANAA00x000J0G	NA



Material
● Item ① Insulator (housing): Thermoplastic (UL94V-0)



Section A-A

PART NO.: ANAA 00 x 000JO G

- | | | | |
|---|------------------|---|------------------------------|
| ↓ | Color | ↓ | RoHS compliant |
| 0 | Black | 5 | Green(RAL6018/T) |
| 6 | Blue (RAL5015/A) | 8 | Grey(RAL7035/D) |
| | | | (lead<4%)
In copper Alloy |

mat'l. code		surface ASME Y14.5 ✓	tolerance ASME Y14.5	projection MM	product family TERMINAL BLOCK
ltr	ecn no	dr	date	tolerances unless otherwise specified	title TERMINAL BLOCK ACCESSORIES
				angles X°±1°	
				scale	dwg no ANAA00x000J0G sheet 1 of 1 size A4
				dr EVIN ZHONG 070914	
				enr EVIN ZHONG 070914	type CUSTOMER Drawing
				chr HANKE FENG 070914	
				appd SHI JUN 070914	
sheet index	revision sheet	A	1		