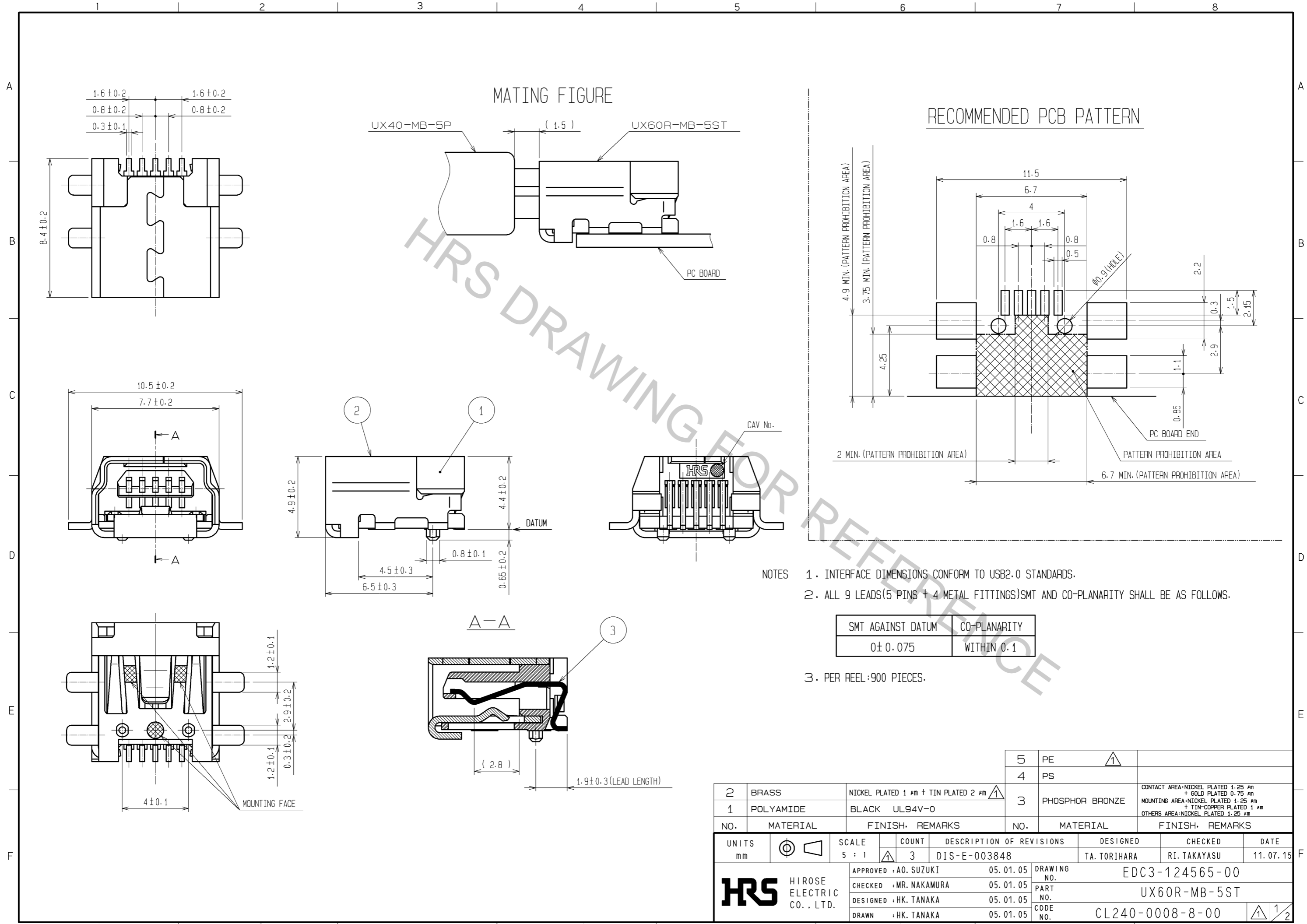


Apr.1.2017 Copyright 2017 HIROSE ELECTRIC CO., LTD. All Rights Reserved.



MATING FIGURE

RECOMMENDED PCB PATTERN

- NOTES
1. INTERFACE DIMENSIONS CONFORM TO USB2.0 STANDARDS.
 2. ALL 9 LEADS(5 PINS + 4 METAL FITTINGS)SMT AND CO-PLANARITY SHALL BE AS FOLLOWS.

SMT AGAINST DATUM	CO-PLANARITY
0±0.075	WITHIN 0.1

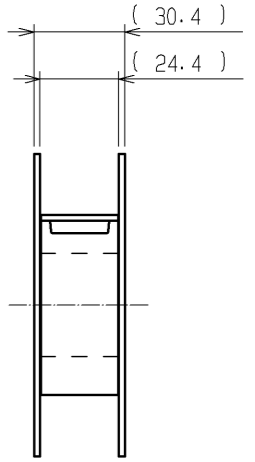
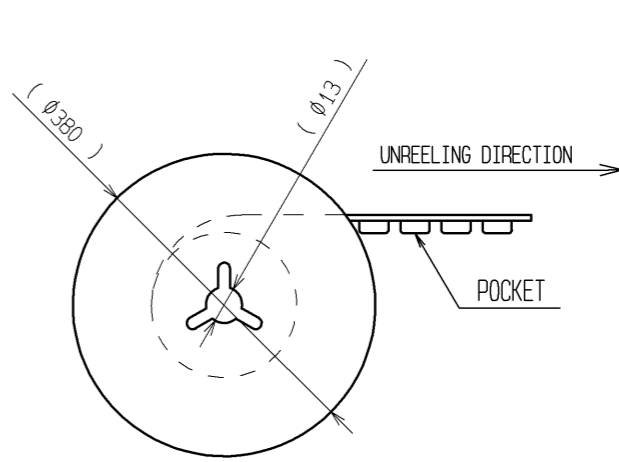
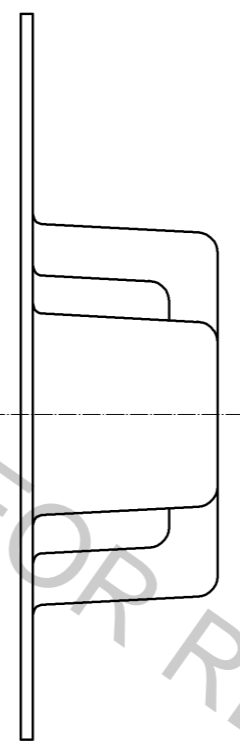
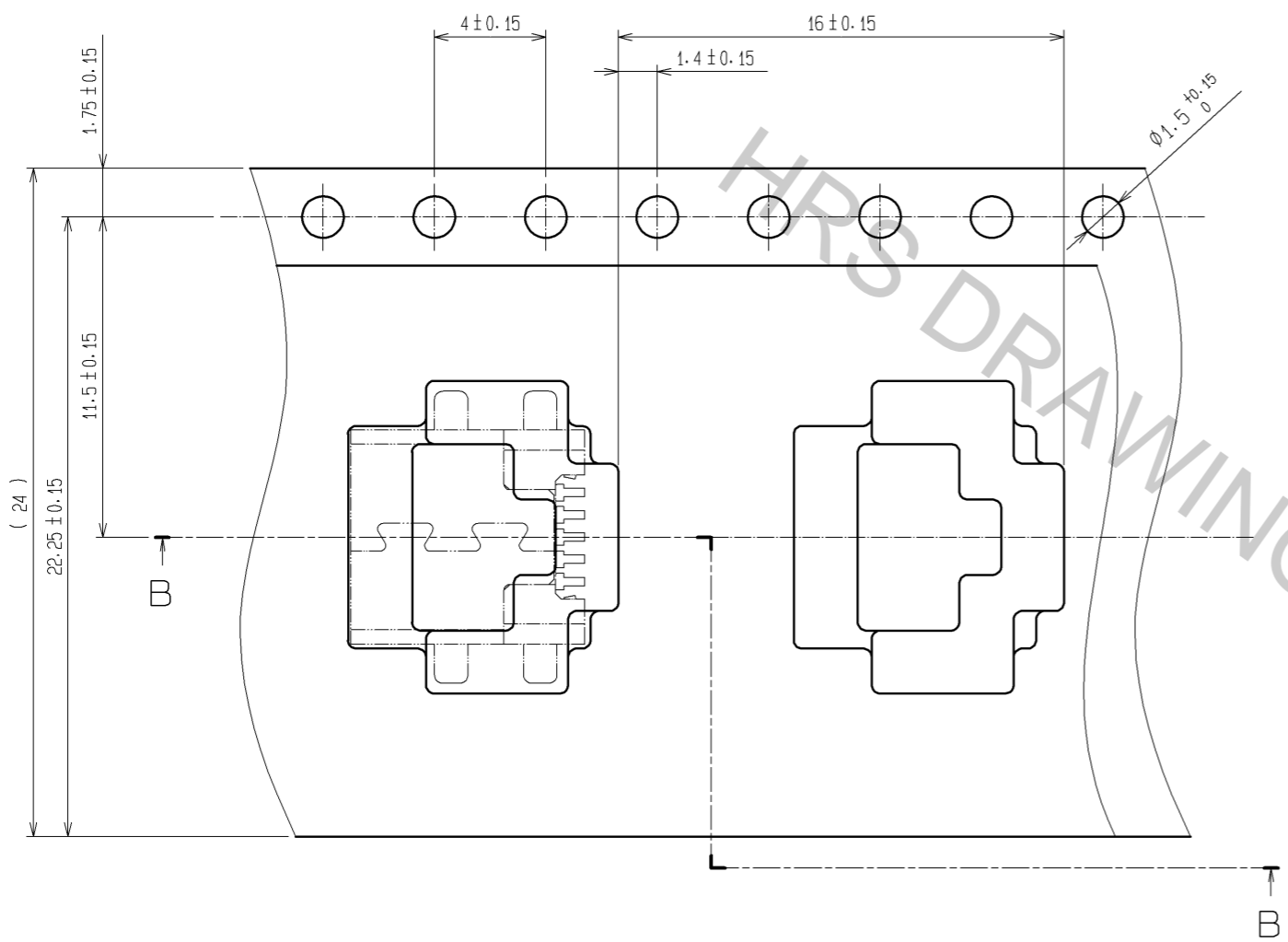
3. PER REEL:900 PIECES.

2	BRASS	NICKEL PLATED 1 μm + TIN PLATED 2 μm	5	PE	△
1	POLYAMIDE	BLACK UL94V-0	4	PS	
			3	PHOSPHOR BRONZE	CONTACT AREA: NICKEL PLATED 1.25 μm + GOLD PLATED 0.75 μm MOUNTING AREA: NICKEL PLATED 1.25 μm + TIN-COPPER PLATED 1 μm OTHERS AREA: NICKEL PLATED 1.25 μm
NO.	MATERIAL	FINISH, REMARKS	NO.	MATERIAL	FINISH, REMARKS
UNITS	mm	SCALE	5 : 1	COUNT	△ 3
DESCRIPTION OF REVISIONS			DESIGNED	TA. TORIHARA	CHECKED
DIS-E-003848			DATE	11.07.15	
APPROVED : A0. SUZUKI 05.01.05			DRAWING NO. EDC3-124565-00		
CHECKED : MR. NAKAMURA 05.01.05			PART NO. UX60R-MB-5ST		
DESIGNED : HK. TANAKA 05.01.05			CODE NO. CL240-0008-8-00		
DRAWN : HK. TANAKA 05.01.05			1/2		

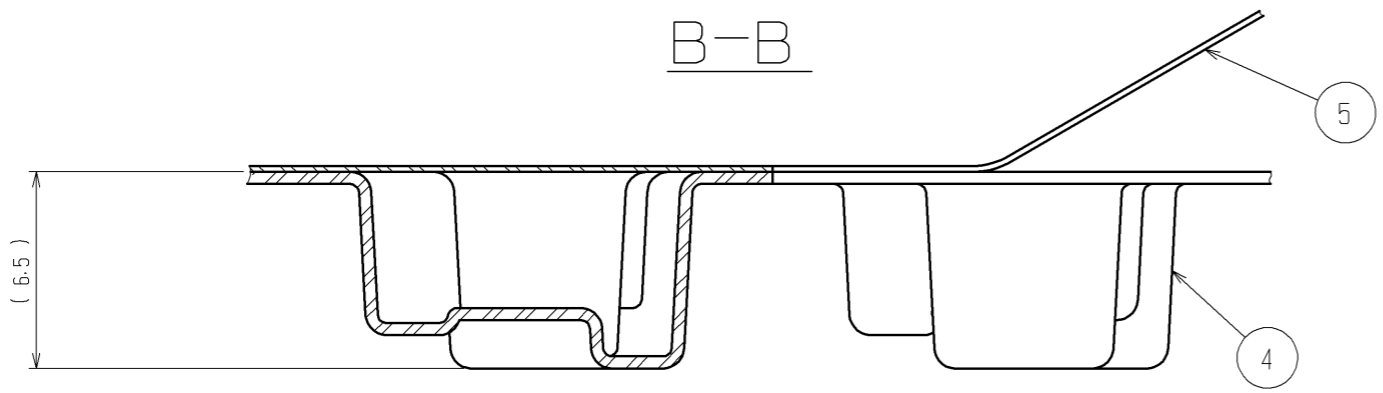
△ DRAWING FOR PACKING

UNREELING DIRECTION →

PACKAGING CONDITION(FREE)



B-B



HRS	DRAWING NO.	EDC3-124565-00	2/2
	PART NO.	UX60R-MB-5ST	
	CODE NO.	CL240-0008-8-00	

Apr.1.2017 Copyright 2017 HIROSE ELECTRIC CO., LTD. All Rights Reserved.