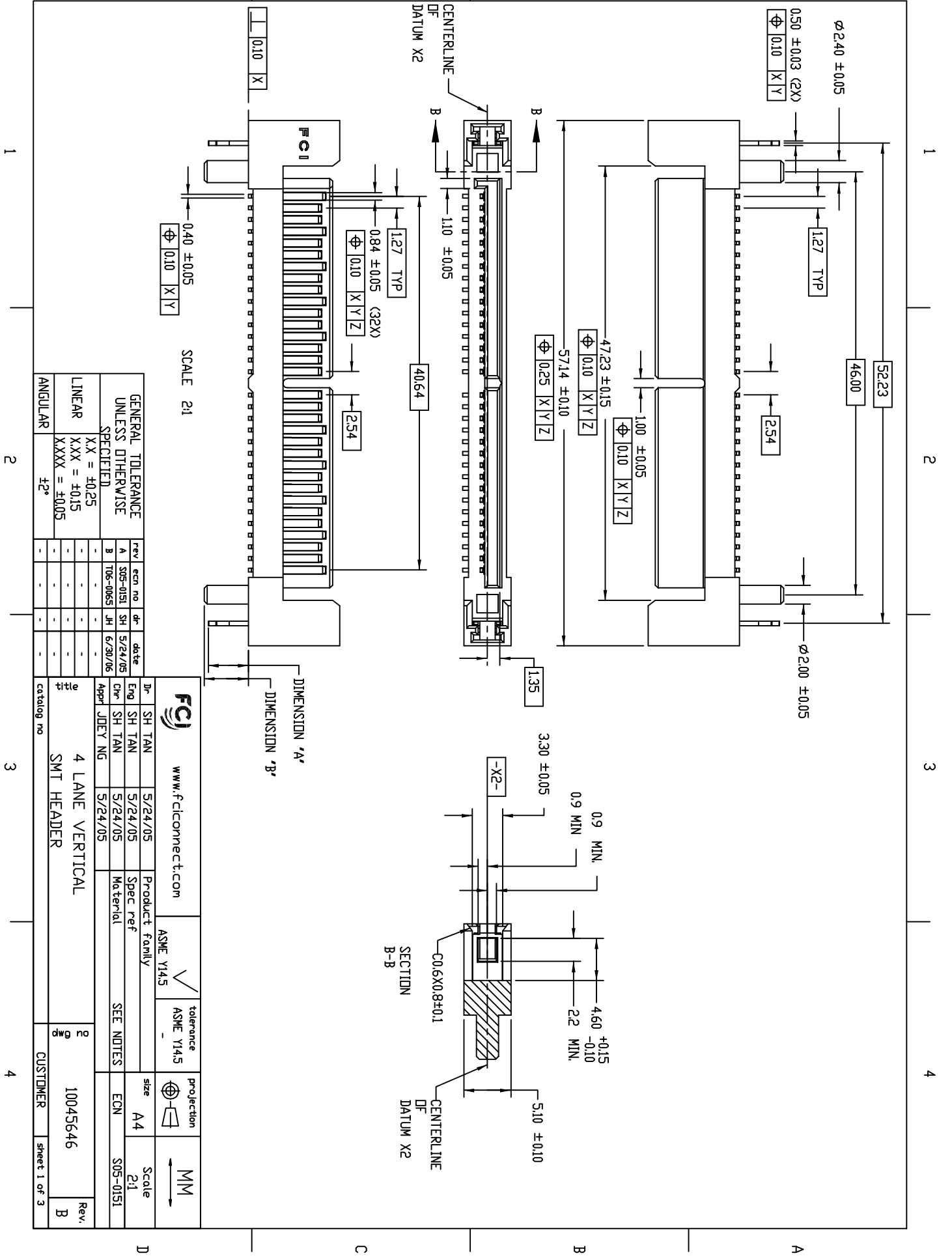


All rights strictly reserved. Reproduction or issue to third parties in any form whatever is not permitted without written authority from the proprietor.  
Property of FCI. Copyright FCI.



Tous droits strictement reserves. Reproduction ou communication a des tiers interdite sous quelque forme que soit sans autorisation ecrite du proprietaire.  
Propriete de c FCI. Droits de reproduction FCI.

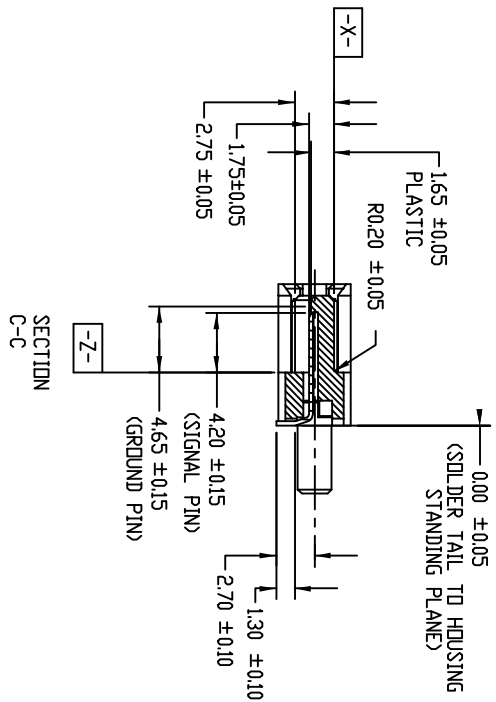
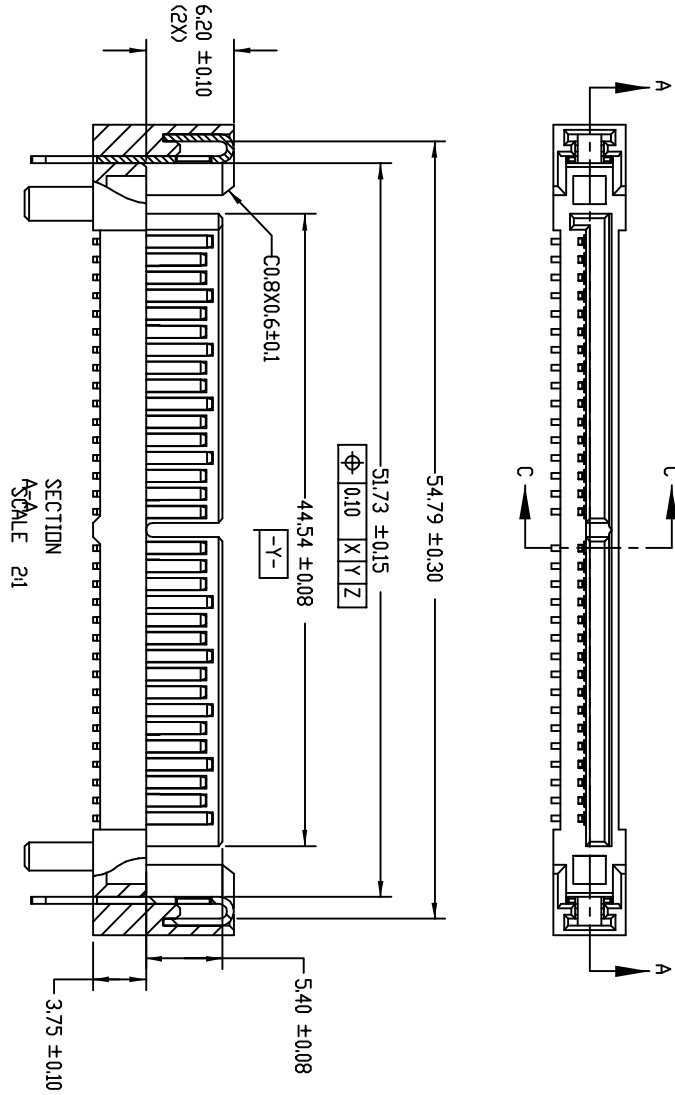


SCALE 2:1

GENERAL TOLERANCE	UNLESS OTHERWISE SPECIFIED
LINEAR	XXX = ±0.15 XXXX = ±0.05
ANGULAR	±2°

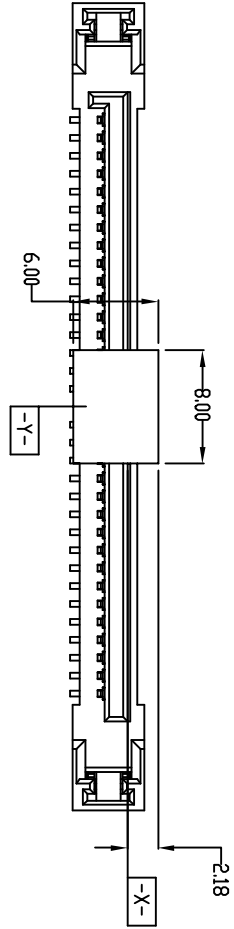
rev	ecn no	dr	date
A	S05-0151	SH	5/24/05
B	T06-0065	JH	6/30/06

www.fciconnect.com		ASME Y14.5	tolerance	ASME Y14.5	projection	MM
Dr	SH TAN	5/24/05	Product	family	size	Scale
Eng	SH TAN	5/24/05	Spec ref		A4	2:1
Chk	SH TAN	5/24/05	Material		ECN	S05-0151
Appr	JOEY NG	5/24/05			SEE NOTES	
4 LANE VERTICAL			SMT HEADER			
catalog no			part no		customer	Rev.
			10045646			B
			sheet 1 of 3			

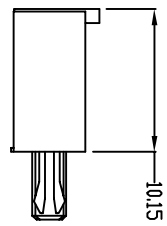


title	4 LANE VERTICAL SMT HEADER	dwg no	10045646	Rev.	B
catalog no		CUSTOMER		sheet 2 of 3	

PRODUCT NO.	PCB THICKNESS	DIMENSION 'A'	DIMENSION 'B'	PACKAGING
10045646-001TRLF	1.57±0.10	2.75±0.20	3.20±0.10	TAPE & REEL
10045646-002TRLF	3.18±0.10	4.35±0.20	4.80±0.10	TAPE & REEL
10045646-003TRLF	1.57±0.10	2.75±0.20	1.55±0.10	TAPE & REEL
10045646-001LF	1.57±0.10	2.75±0.20	3.20±0.10	TRAY
10045646-002LF	3.18±0.10	4.35±0.20	4.80±0.10	TRAY
10045646-003LF	1.57±0.10	2.75±0.20	1.55±0.10	TRAY

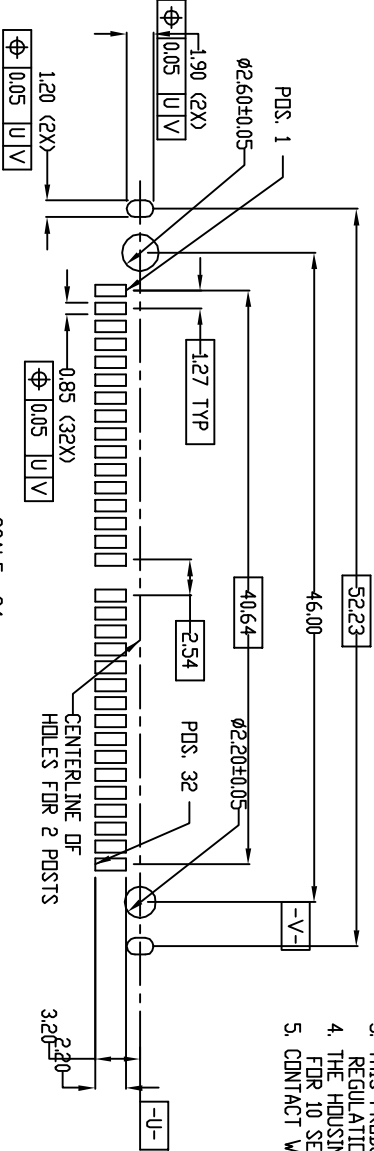


WITH PICK-UP CAP ATTACHED  
SCALE 2:1



NOTES

1. MATERIAL: HOUSING: HIGH TEMPERATURE PLASTIC, BLACK COLOR, UL94V-0 CONTACT: COPPER ALLOY HOLD DOWN: COPPER ALLOY
2. FINISH: 1.27µm MIN NICKEL UNDERPLATE OVERALL, 191µm MIN TIN (LEAD-FREE) ON SOLDER TAIL, 0.76µm MIN GOLD IN CONTACT AREA
3. THIS PRODUCT MEETS EUROPEAN UNION DIRECTIVES AND OTHER COUNTRY REGULATIONS AS DESCRIBED IN GS-22-008
4. THE HOUSING WILL WITHSTAND EXPOSURE TO 260°C PEAK TEMPERATURE FOR 10 SECONDS IN A CONVECTION, INFRARED DR VAPOR PHASE REFLOW OVEN
5. CONTACT WIPE: 207 MIN FOR SIGNAL AND 252 MIN FOR GROUND



RECOMMENDED PCB LAYOUT  
(ALL TOLERANCES ARE ±0.05)

SCALE 2:1

title	4 LANE VERTICAL	no dwg	10045646	Rev. B
catalog no	SMT HEADER	CUSTOMER		sheet 3 of 3