

LTC4121EUD/LTC4121EUD-4.2

400mA Synchronous Buck Battery Charger

DESCRIPTION

Demonstration circuit 1977A is the demonstration board for [LTC®4121EUD-4.2/LTC4121EUD](#), a 400mA Synchronous Buck Battery Charger. The DC1977A supports the Maximum Power Point Tracking (MPPT) feature on the LTC4121EUD, for use with Photovoltaic (PV) cells or highly resistive sources.

batteries with the maximum power available from the PV cell. It is also used if the power supply is highly resistive, such as applications that are at the end of very long wire runs.

Design files for this circuit board are available at <http://www.linear.com/demo>

FEATURED PART

DC1977A-A	LTC4121EUD-4.2 (Fixed Output)
DC1977A-B	LTC4121EUD (Adjustable Output)

LT, LT, LTC, LTM, Linear Technology and the Linear logo are registered trademarks of Linear Technology Corporation. All other trademarks are the property of their respective owners.

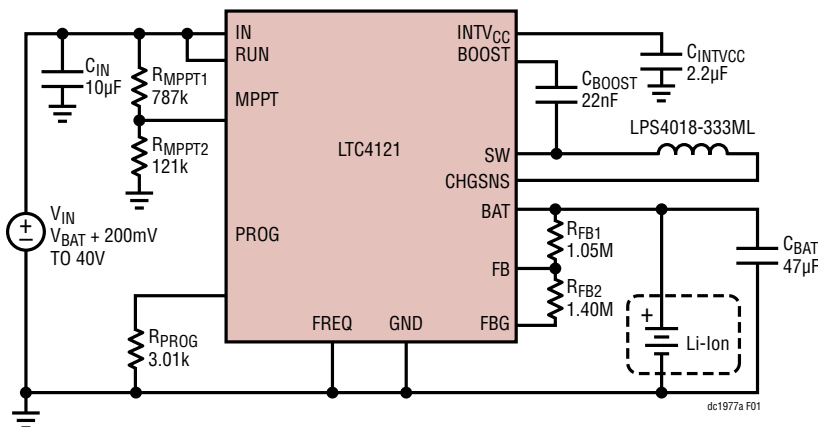
The LTC4121EUD is typically used with PV cells to charge

PERFORMANCE SUMMARY Specifications are at T_A = 25°C

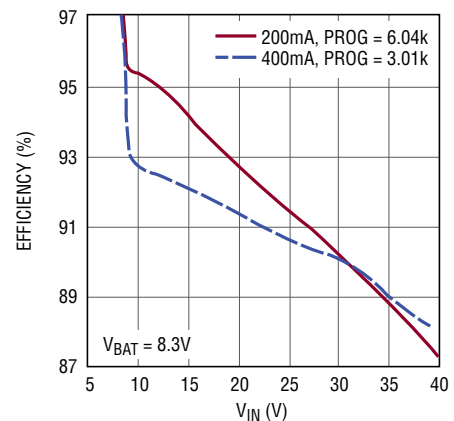
SYMBOL	PARAMETER	CONDITIONS	MIN	TYP	MAX	UNITS
IN	DC1977A Input Voltage	I(IN) < 800mA	4.4		40	V
PV _{IN}	DC1977A PV Cell Input	I(IN) < 800mA	5		40.5	V
V(BAT)	DC1977A BAT Pin Voltage	R _{FB2} = 1.40MΩ, R _{FB1} = 1.05MΩ	2.4		4.25	V
I(BAT)	DC1977A BAT Pin Current	V(BAT) = 3.7V, DC1977A(R5) = 3.01kΩ, JP1 ("MPPT") = 'OFF'	370	385	400	mA

TYPICAL APPLICATION

High Efficiency, Wide Input Voltage Range Charging with LTC4121



LTC4121 Efficiency vs V_{IN} at V_{FLOAT} = 8.4V



ASSEMBLY TEST PROCEDURE

Refer to Figure 1 for the proper measurement equipment setup and jumper settings and follow the procedure below. .

NOTE. When measuring the input or output voltage ripple, care must be taken to avoid a long ground lead on the oscilloscope probe. Measure the input or output voltage ripple by touching the probe tip directly across the V_{CC} or V_{IN} and GND terminals. See Figure 2 for proper scope probe technique.

1. Set JP1 (“MPPT”) to ‘ON’, set PS1 to 3.6V and turn on.
2. Connect PS2 to point A, set to 15V and turn on.
3. Verify that VM1 indicates less than 4V, and then verify that AM1 indicates 380mA ~ 400mA. Verify that VM2 shows 14V ~ 14.5V. There is only a series diode between PV^+ and the V_{IN} pin of the LTC4121. The purpose of this diode is prevent backfeeding a PV cell, if connected. A single diode V_f is insufficient to activate the MPPT feature, and the LTC4121 delivers full charge current to the battery.

4. Turn PS2 off, move connection to point B, and turn PS2 on.
5. Verify that VM1 indicates less than 4V, and then verify that AM1 indicates between 380mA ~ 400mA. Verify that VM2 shows 2.15V ~ 3.5V. The source impedance of the power supply is now $\approx 16\Omega$. But this impedance still allows delivering full charge current without engaging the MPPT feature.
6. Turn PS2 off, move connection to Point C, and turn PS2 on.
7. Verify that VM1 indicates less than 4V, and then Verify that AM1 indicates 100mA ~150mA. Verify that VM2 shows 10V ~ 11V. The source impedance of the power supply is now 98Ω . The MPPT feature has engaged and the charge delivered to the battery has been reduced to allow V_{IN} to stay at the programmed MPPT point.
8. Set JP1 (“MPPT”) to ‘OFF’, test is finished.

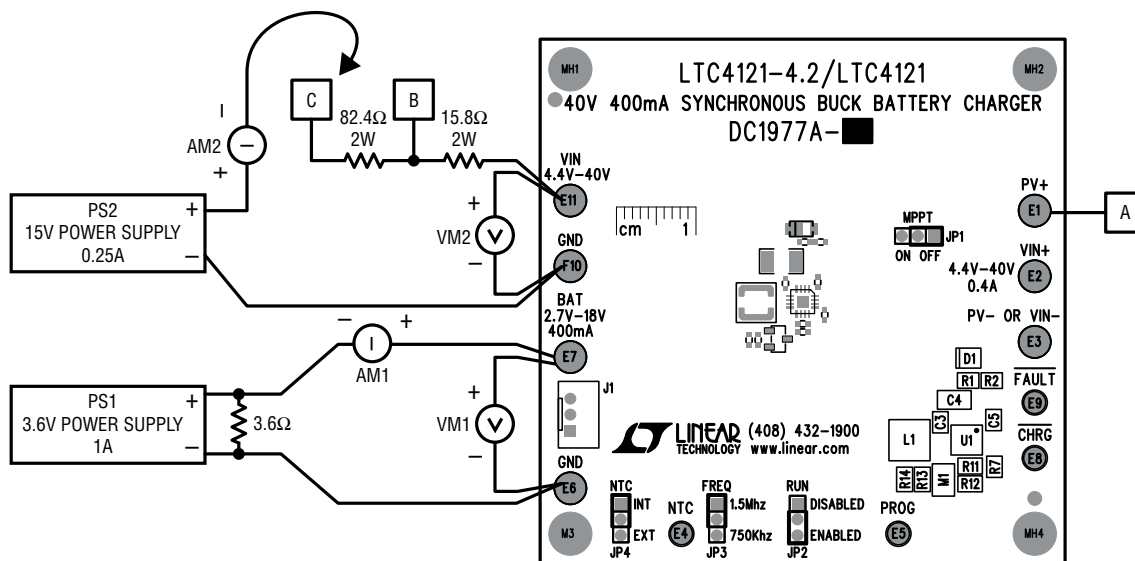


Figure 1. DC1977A Equipment Setup

ASSEMBLY TEST PROCEDURE

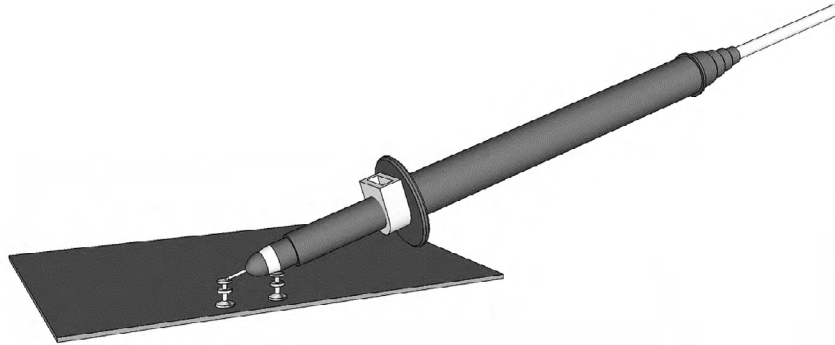


Figure 2. Measuring Input or Output Ripple

Note: All connections from equipment should be Kelvin connected directly to the board pins which they are connected on this diagram and any input or output leads should be twisted pair.

THEORY OF OPERATION

The LTC4121EUD-4.2/LTC4121EUD is a 4.4V ~ 40V input buck topology battery charger with Maximum Power Point Tracking (MPPT) for use with PV cells or highly resistive power supplies. The buck topology charger uses current mode for stable operation.

LTC4121EUD ENABLE

The LTC4121 can be enabled or disabled via the “RUN” pin, and this functionality can be accessed via JP2, the “RUN” jumper. When JP2 is in the “ENABLE” position, R3 and R4 (see schematic) ensure that the LTC4121 is not enabled until V_{IN} is greater than 4.4V.

Buck Charger

The heart of the LTC4121EUD is the buck topology charger. The buck topology charger is a synchronous current mode regulator with N-channel FETs. The use of N-channel FETs optimizes die area, and only requires a single external 0.022μF capacitor for bootstrapping the high side gate drive.

The LTC4121EUD can charge up to 4 Li-Ion batteries in series, and has a maximum float voltage of 18V. The LTC4121EUD-4.2 is optimized for charging a single Li-Ion battery, and has a fixed float voltage of 4.2V.

The buck inductor does not terminate in a capacitor, as in a buck voltage regulator, but rather goes through a small on-die metal resistor for current measurement, and then goes back out to the BAT pin. The battery is connected to the BAT pin, this allows the LTC4121EUD to measure not only the cycle by cycle current, but also the average current. The cycle by cycle current is used by the current mode buck regulator, and the average current is the battery charge current as programmed by Rprog. On the DC1977A, Rprog = 3.01kΩ, so I(BAT) = 400mA, if the MPPT function does not reduce the current.

The buck regulator thus acts as a current source when the battery is in the constant current (CC) charging region and as a classic voltage output buck regulator when the battery is in the constant voltage (CV) charging region. In the constant voltage region, the battery becomes the output capacitor. If no battery is present, please ensure that the capacitors documented in the data sheet are installed on the board, to provide charge storage for the buck regulator.

The battery charge current is programmed by Rprog = 3.01kΩ. The equation for battery charge current is:

$$R_{prog} = h_{prog} \cdot (V_{prog}/I_{(chg)}) = 988 \cdot 1.227V/0.4 = 3.01k\Omega$$

THEORY OF OPERATION

The LTC4121EUD provides a switching frequency select pin, **FREQ**, to select between 750kHz and 1.5MHz; this function is accessed by JP4, the “FREQ” jumper.

Figure 3 shows various nodes of interest with $V_{IN} = 5V$, and the switching frequency at 750kHz ($T = 1.333\mu s$). The duty cycle is 86% for $V(BAT) = 3.6V$, this is not the 72% duty expected from a buck regulator. When the battery voltage is 3.6V, the charger is in constant current mode, so the control loop is making the effective output of the buck regulator the voltage necessary to push 400mA into the battery. This “effective” voltage is $5 \times 0.86 = 4.3V$, is the voltage necessary to ensure that a 400mA average current is flowing through the on-die metal sense resistor.

Figure 4 shows the same nodes as Figure 3, but with $V_{IN} = 40V$, and still at 750kHz. The duty cycle is $\approx 200ns/1.333\mu s$, or 15%, but the period is $2.7\mu s$. This is because the LTC4121 minimum on time was greater than that needed to achieve 4.3V, and the LTC4121 starts to pulse skip to get the necessary average duty cycle. The average duty cycle is $300ns/2.667\mu s = 11\%$. This produces an “effective” output voltage of 4.3V, so that the battery charges at 400mA.

Maximum Power Point Tracking (MPPT)

The LTC4121EUD provides a Maximum Power Point Tracking (MPPT) function for use with PV cells or highly resistive power supplies. The MPPT pin allows programming of the MPPT point as a percentage of the Open Circuit V_{IN} (V_{OC}). To access this functionality the demo board provides JP1, the “MPPT” jumper, and R1 and R2.

It is important to note that the disabled position for MPPT is the MPPT pin at V_{IN} . To enable set the MPPT point as a fraction of V_{OC} , based on the equation:

$$\frac{V_{MPPT}}{V_{OC}} = \left[\frac{0.1(k+1)}{k} \right]$$

where $R_{MPPT2} = k \cdot R_{MPPT1}$. So for the demo board, $k = 121/787 = 0.154$, and $V_{MPPT}/V_{OC} = 0.75 \cdot V_{OC}$. When MPPT is enabled (not equal to V_{IN}), the LTC4121EUD periodically disconnects the load, and measures V_{IN} no load = V_{OC} . It then increases the load on V_{IN} to meet charger demand, until the V_{MPPT} threshold is reached, after which it no

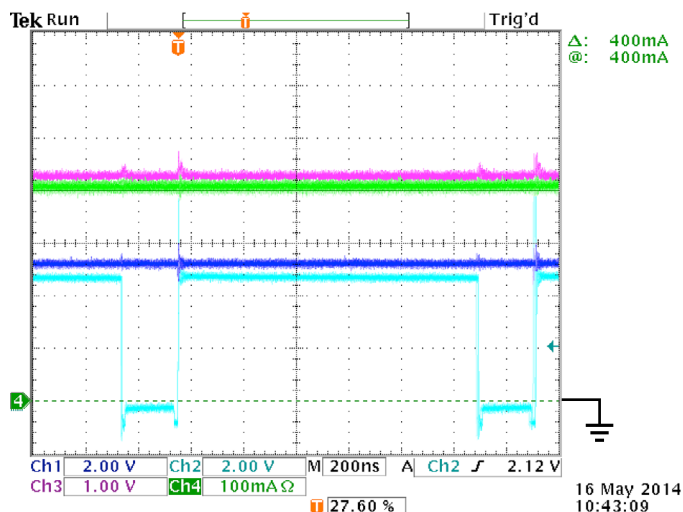


Figure 3. Normal Operation, Zoom, $V_{IN} = 5.1V$, DK. Blue = V_{IN} , Grn = I_{CHARGE} , LT. Blue = V_{SW} , Pk. = $INTV_{CC}$, 750kHz

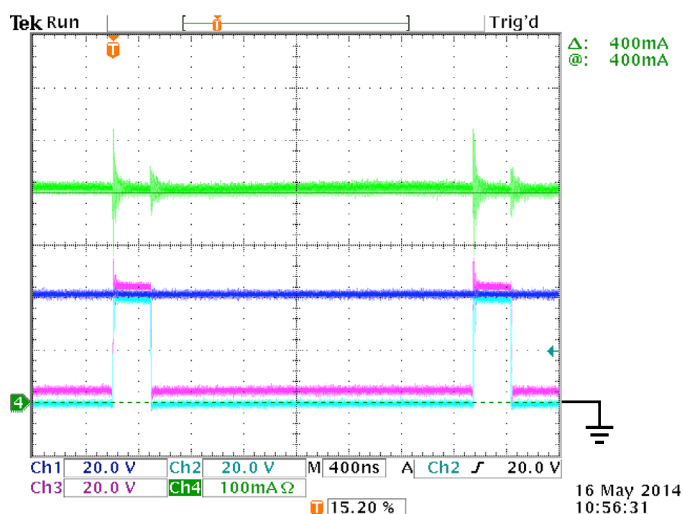


Figure 4. Normal Operation, Zoom, $V_{IN} = 40V$, DK. Blue = V_{IN} , Grn = I_{CHARGE} , LT. Blue = V_{SW} , Pk. = V_{BOOST} , 750kHz

THEORY OF OPERATION

longer increases the load. This allows the MPPT voltage divider to set the desired MPPT point as a percentage of the no load V_{IN} :

Figure 5 shows the LTC4121EUD operating into a source impedance of 98Ω so the LTC4121 draws more power from V_{IN} than is available. The MPPT pin of the LTC4121EUD sets the MPPT point to 0.75 of the open circuit voltage. First V_{OC} is determined by removing all loads and letting V_{IN} rise to V_{OC} . The power drawn from V_{IN} is increased until the V_{IN} falls to the MPPT point, $0.75 \cdot V_{OC} = 0.75 \cdot 15V = 11.25V$. The resolution of the MPPT DAC is 330mV, thus this example has the MPPT point at 11V. The LTC4121 stops drawing power at this point, and the charge current (green) never exceeds 200mA, even though the Rprog value was chosen for 400mA.

Figure 6 shows the same system, but the source impedance was lowered to 16Ω , consequently the full power needed to meet the requirements of Rprog is available before V_{IN} falls to the MPPT voltage.

Battery capacitors C1 and C2

The maximum float voltage for the LTC4121EUD is 18V, but for the LTC4121EUD-4.2, it is 4.2V. Linear recommends $47\mu F$ of capacitance on the BAT pin, if the battery is missing. For the LTC4121EUD the voltage rating of the capacitor will need to be 25V, so two $22\mu F$, 25V, MLCC capacitors are used. In the case of the LTC4121EUD-4.2, a 6.3V capacitor will suffice and a single $47\mu F$, 6.3V, MLCC capacitor is used for C1, with C2 as a no load.

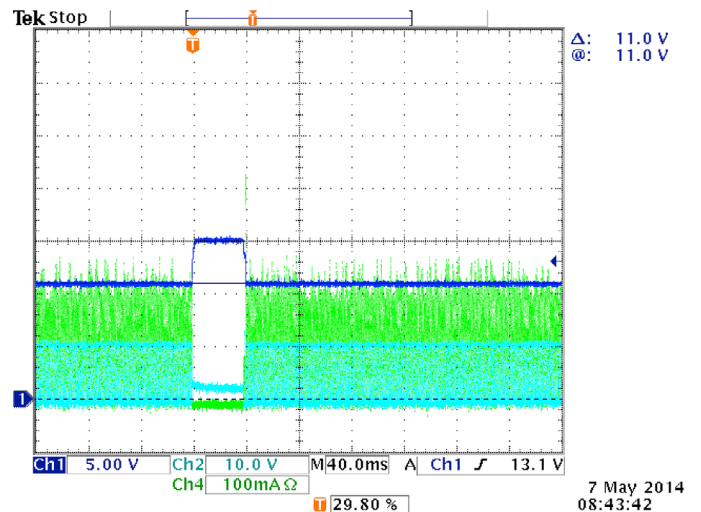


Figure 5. MPPT Test, DK. Blue = V_{IN} (Through 98Ω), Green = I_L , LT. Blue = $V(SW)$, $k = 0.15$, $V_{MPPT}/V_{OC} = 0.75$

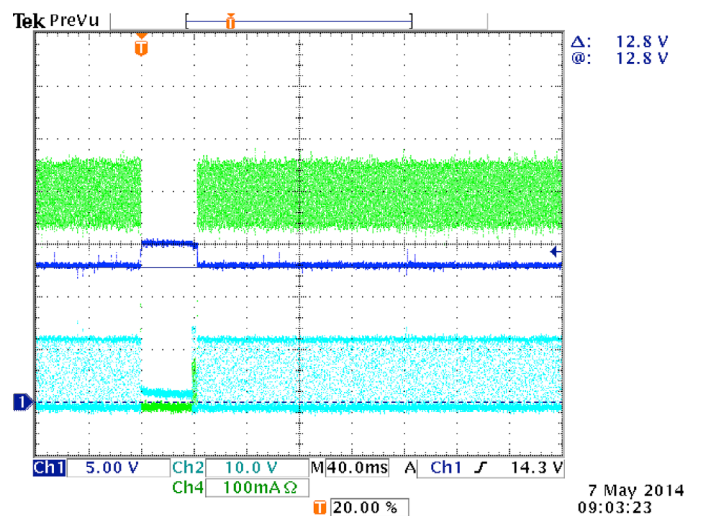


Figure 6. MPPT Test, DK. Blue = V_{IN} (Through 16Ω), Green = I_L , LT. Blue = $V(SW)$, $k = 0.15$, $V_{MPPT}/V_{OC} = 0.75$

DEMO MANUAL

DC1977A-A/B

PARTS LIST

ITEM	QTY	REFERENCE	PART DESCRIPTION	MANUFACTURER/PART NUMBER
------	-----	-----------	------------------	--------------------------

DC1977A General Bill of Materials

Required Circuit Components

1	1	C3	CAP, CHIP, X7R, 0.022 μ F, \pm 10%, 50V, 0402	TDK, C1005X7R1E223K
2	1	C4	CAP, CHIP, X5R, 10 μ F, \pm 10%, 50V, 1210	TAIYO-YUDEN, UMK325BJ106KM-T
3	1	C5	CAP, CHIP, X5R, 2.2 μ F, \pm 20%, 6.3V, 0402	MURATA, GRM155R60J225ME15D
4	1	L1	IND, SMT, 33 μ H, 420m Ω , \pm 20%, 0.80A, 4mm \times 4mm	COILCRAFT, LPS4018-333ML
5	1	R1	RES, CHIP, 787k Ω , \pm 1%, 1/16W, 0402	VISHAY, CRCW0402787KFKED
6	1	R2	RES, CHIP, 121k Ω , \pm 1%, 1/16W, 0402	VISHAY, CRCW0402121KFKED
7	1	R3	RES, CHIP, 261k Ω , \pm 1%, 1/16W, 0402	VISHAY, CRCW0402261KFKED
8	1	R4	RES, CHIP, 324k Ω , \pm 1%, 1/16W, 0402	VISHAY, CRCW0402324KFKED
9	1	R7	RES, CHIP, 3.01k Ω , \pm 1, 1/16W, 0402	VISHAY, CRCW04023K01FKED

Additional Demo Board Circuit Components

1	1	D1	DIODE, SCHOTTKY, 40V, 2A, PowerDI123	DIODES, DFLS240L
2	1	M1	MOSFET, P-Channel, -30V, -5.9A, 45m Ω , SOT-23	VISHAY, Si2343CDS
3	2	R5, R9	RES, CHIP, 10k Ω , \pm 1%, 1/16W, 0402	VISHAY, CRCW040210K0FKED
4	1	R6	RES, CHIP, 2k Ω , \pm 5%, 1/16W, 0402	VISHAY, CRCW04022K00JNED
5	2	R8, R10	RES, CHIP, 0 Ω jumper, 1/16W, 0402	VISHAY, CRCW04020000Z0ED
6	1	R13	RES, CHIP, 47k Ω , \pm 5%, 1/16W, 0402	VISHAY, CRCW040247K0JNED
7	1	R14	RES, CHIP, 5.1k Ω , \pm 1%, 1/16W, 0402	VISHAY, CRCW04025K10JNED
8	1	R15	RES, CHIP, 100k Ω , \pm 5%, 1/16W, 0402	VISHAY, CRCW0402100KJNED

Hardware: For Demo Board Only

1	7	E1, E2, E3, E6, E7, E10, E11	TURRET, 0.09 DIA	MILL-MAX, 2501-2-00-80-00-00-07-0
2	4	E4, E5, E8, E9	TURRET, 0.061"	MILL-MAX, 2308-2-00-80-00-00-07-0
3	0	J1-OPT	CONN, 3 Pin Polarized	HIROSE, DF3-3P-2DSA
4	4	JP1-JP4	HEADER, 3 Pin, SMT, 2mm	SULLIN, NRPNO31PAEN-RC
5	4	JP1-JP4	SHUNT, 2mm	SAMTEC, 2SN-BK-G

ITEM	QTY	REFERENCE	PART DESCRIPTION	MANUFACTURER/PART NUMBER
------	-----	-----------	------------------	--------------------------

DC1977A-A Bill of Materials

Required Circuit Components

1	0	R11	No Load	
2	1	R12	RES, CHIP, 0 Ω jumper, 1/16W, 0402	VISHAY, CRCW04020000Z0E
3	1	U1	40V 400mA SYNCHRONOUS STEP-DOWN BATTERY CHARGER, 3mm \times 3mmQFN16	LINEAR TECH., LTC4121EUD-4.2#PBF

Additional Demo Board Circuit Components

1	1	C1	CAP, CHIP, X5R, 47 μ F, \pm 10%, 16V, 1210	MURATA, GRM32ER61C476KE15L
2	0	C2	CAP, CHIP, X5R, 47 μ F, \pm 10%, 16V, 1210	MURATA, GRM32ER61C476KE15L

ITEM	QTY	REFERENCE	PART DESCRIPTION	MANUFACTURER/PART NUMBER
------	-----	-----------	------------------	--------------------------

DC1977A-B Bill of Materials

Required Circuit Components

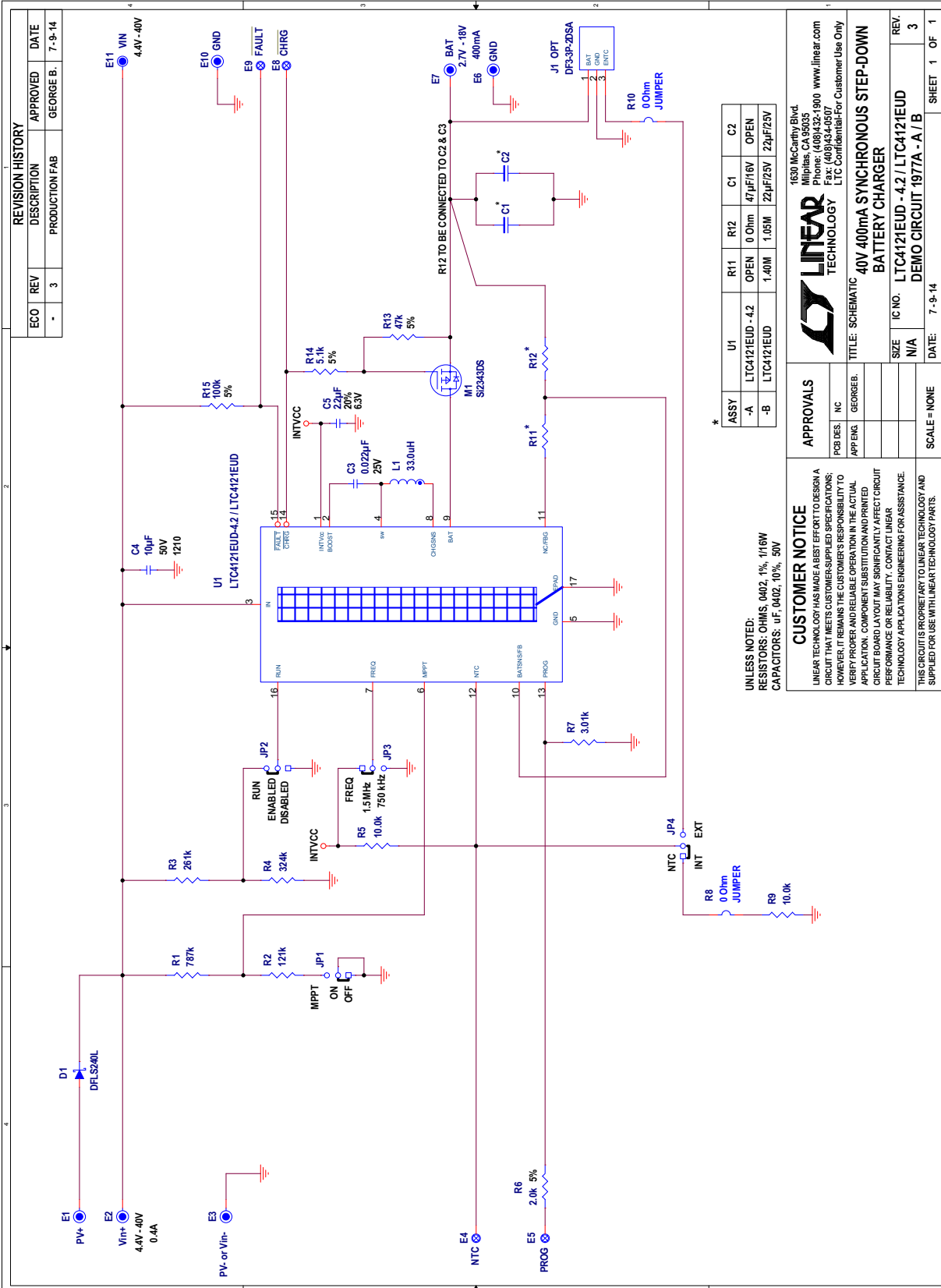
1	1	R11	RES, CHIP, 1.40M Ω , \pm 1%, 1/16W, 0402	VISHAY, CRCW04021M40FKE
2	1	R12	RES, CHIP, 1.05M Ω , \pm 1%, 1/16W, 0402	VISHAY, CRCW04021M05FKED
3	1	U1	40V, 400mA SYNCHRONOUS STEP-DOWN BATTERY CHARGER, 3mm \times 3mmQFN16	LINEAR TECH., LTC4121EUD#PB

Additional Demo Board Circuit Components

1	2	C1, C2	CAP, CHIP, X5R, 47 μ F, \pm 10%, 16V, 1210	MURATA, GRM32ER61C476KE15L
---	---	--------	--	----------------------------

dc1977afa

SCHEMATIC DIAGRAM



dc1977afa

DEMO MANUAL

DC1977A-A/B

DEMONSTRATION BOARD IMPORTANT NOTICE

Linear Technology Corporation (LTC) provides the enclosed product(s) under the following **AS IS** conditions:

This demonstration board (DEMO BOARD) kit being sold or provided by Linear Technology is intended for use for **ENGINEERING DEVELOPMENT OR EVALUATION PURPOSES ONLY** and is not provided by LTC for commercial use. As such, the DEMO BOARD herein may not be complete in terms of required design-, marketing-, and/or manufacturing-related protective considerations, including but not limited to product safety measures typically found in finished commercial goods. As a prototype, this product does not fall within the scope of the European Union directive on electromagnetic compatibility and therefore may or may not meet the technical requirements of the directive, or other regulations.

If this evaluation kit does not meet the specifications recited in the DEMO BOARD manual the kit may be returned within 30 days from the date of delivery for a full refund. **THE FOREGOING WARRANTY IS THE EXCLUSIVE WARRANTY MADE BY THE SELLER TO BUYER AND IS IN LIEU OF ALL OTHER WARRANTIES, EXPRESSED, IMPLIED, OR STATUTORY, INCLUDING ANY WARRANTY OF MERCHANTABILITY OR FITNESS FOR ANY PARTICULAR PURPOSE. EXCEPT TO THE EXTENT OF THIS INDEMNITY, NEITHER PARTY SHALL BE LIABLE TO THE OTHER FOR ANY INDIRECT, SPECIAL, INCIDENTAL, OR CONSEQUENTIAL DAMAGES.**

The user assumes all responsibility and liability for proper and safe handling of the goods. Further, the user releases LTC from all claims arising from the handling or use of the goods. Due to the open construction of the product, it is the user's responsibility to take any and all appropriate precautions with regard to electrostatic discharge. Also be aware that the products herein may not be regulatory compliant or agency certified (FCC, UL, CE, etc.).

No License is granted under any patent right or other intellectual property whatsoever. **LTC assumes no liability for applications assistance, customer product design, software performance, or infringement of patents or any other intellectual property rights of any kind.**

LTC currently services a variety of customers for products around the world, and therefore this transaction **is not exclusive**.

Please read the DEMO BOARD manual prior to handling the product. Persons handling this product must have electronics training and observe good laboratory practice standards. **Common sense is encouraged.**

This notice contains important safety information about temperatures and voltages. For further safety concerns, please contact a LTC application engineer.

Mailing Address:

Linear Technology
1630 McCarthy Blvd.
Milpitas, CA 95035

Copyright © 2004, Linear Technology Corporation