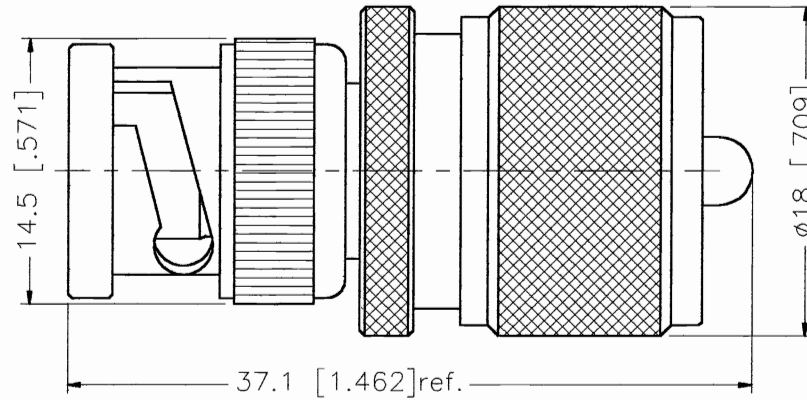



REV.	DATE	DESCRIPTION
NC	06/13/99	INITIAL RELEASE



DESCRIPTION	MATERIAL	FINISH	UNLESS OTHERWISE SPECIFIED DIMENSIONS ARE IN MILLIMETERS	APPROVALS	DATE					
				DRAWN						
1	BODY	BRASS	NICKEL		G.R.S.	06/13/99	TITLE BNC MALE TO UHF MALE ADAPTOR			
2	INSULATOR	DELTRIN	NATURAL	CHECKED						
3	CONTACT PIN	BRASS	GOLD	ISSUED			SIZE	FSCM NO.	DWG. NO.	REV.
4							A	99001	242139.DWG	NC
5							SCALE	NA	PART NO.	242139
6									SHEET	1 OF 1
7										
8				DO NOT SCALE DRAWING						

DIMENSIONS IN [ ] ARE IN INCHES FOR CUSTOMER REFERENCE ONLY

UNLESS OTHERWISE SPECIFIED TOLERANCES FOR MILLIMETERS ARE:  
 0.5-6 = ± 0.2  
 6-30 = ± 0.4  
 30-120 = ± 0.6  
 120-315 = ± 1  
 315-1000 = ± 1.6  
 1000-2000 = ± 2.4