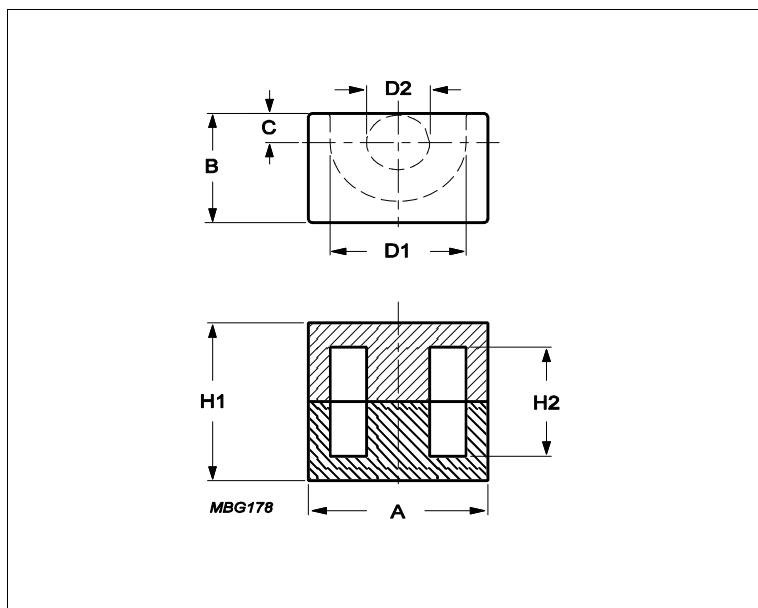


Core **EP10**



Effective parameters			
	Parameter	Value	Unit
$\Sigma(I/A)$	core factor (C1)	1.7	mm ⁻¹
Ve	effective volume	215	mm ³
Le	effective length	19.3	mm
Ae	effective area	11.3	mm ²
Amin	minimum area	8.55	mm ²
m	EP10	≈ 2.8	g/set

Dimensions for product: EP10

	Nom	Tol +	Tol -	Max	Min	Unit
A	11.50	0.30	0.30	11.80	11.20	mm
B	7.60	0.20	0.20	7.80	7.40	mm
C	1.80	0.13	0.13	1.93	1.67	mm
D1	9.40	0.20	0.20	9.60	9.20	mm
D2	3.30	0.15	0.15	3.45	3.15	mm
H1	10.20	0.20	0.20	10.40	10.00	mm
H2	7.40	0.20	0.20	7.60	7.20	mm

Inductance factor

Material	Value	Tol +	Tol -	Unit
3C91	1200	25%	25%	nH/turns ²
3C96	1000	25%	25%	nH/turns ²
3F36	800	25%	25%	nH/turns ²
3F46	460	25%	25%	nH/turns ²

Power loss: 3C91

Measuring conditions			Max	Unit
100 kHz	200 mT	60 °C	0.110	W/set

Power loss: 3C96

Measuring conditions			Max	Unit
100 kHz	200 mT	100 °C	0.097	W/set
400 kHz	50 mT	100 °C	0.039	W/set

Power loss: 3F36

Measuring conditions			Max	Unit
----------------------	--	--	-----	------

Core **EP10**

Power loss: 3F36

Measuring conditions			Max	Unit
500 kHz	50 mT	100 °C	0.032	W/set
500 kHz	100 mT	100 °C	0.250	W/set

Power loss: 3F46

Measuring conditions			Max	Unit
1000 kHz	50 mT	100 °C	0.086	W/set
3000 kHz	10 mT	100 °C	0.022	W/set

Bsat

Measuring conditions			Material	Min	Unit
25 kHz	250 A/m	100 °C	3C91	320	mT
25 kHz	250 A/m	100 °C	3C96	340	mT
25 kHz	250 A/m	100 °C	3F36	340	mT
25 kHz	250 A/m	100 °C	3F46	330	mT

Accessories

Ordering name	Description	Ordering code
CLA-EP10	Clasp	432202101481
CLI-EP10	Clip	432202100781
CSH-EP10-1S-8P	Coil former, termoset, horizontal	432202100461
CSH-EP10-2S-8P	Coil former, termoset, horizontal	432202100471
CSHS-EP10-1S-8P-T	Coil former, termoset, horizontal, SMD	432202103191
SPR-EP10	Spring	432202101471