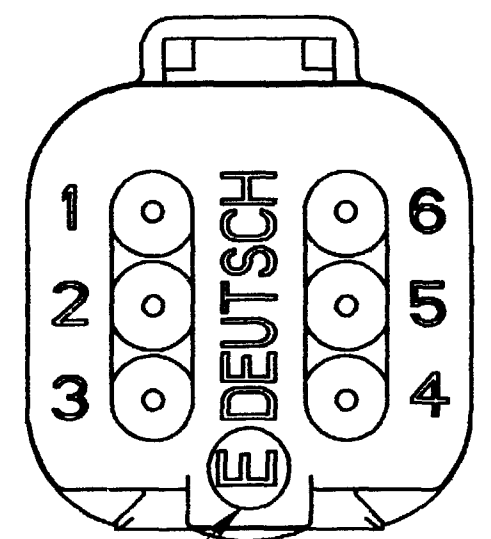
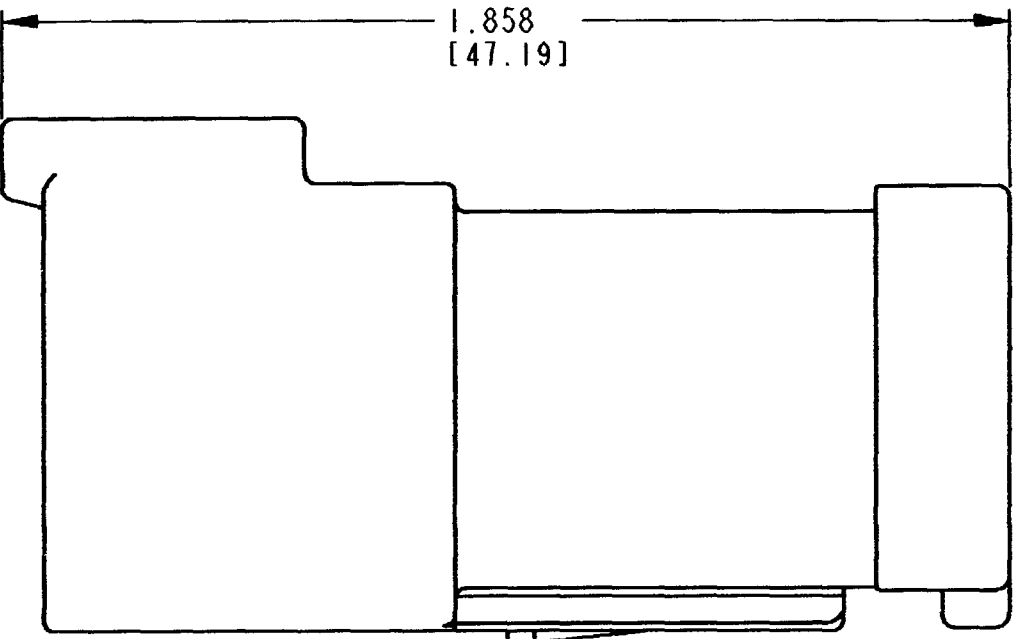
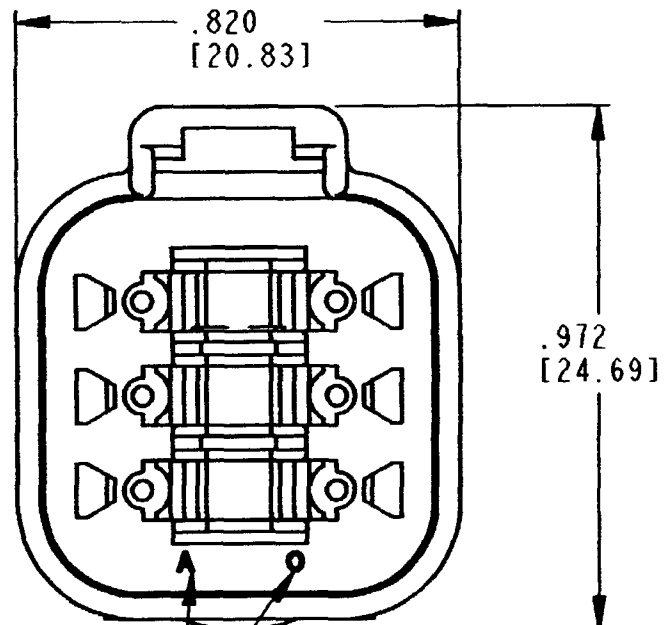


REV	DT04-6P-CE01	REVISIONS		
SYM	DESCRIPTION	DATE	APPROVED	
NC	NEW RELEASE PER E.O. P15619	5/5/98	R.D.R.	
A	REVISED PER E.O. P16050	5/13/99	R.D.R.	
B	REVISED PER E.O. P19644	10-12-07	RDR	



DATE CODE: SEQUENTIAL ALPHA CHARACTERS
 REPRESENT MONTH: EX-A=JANUARY
 NUMBER REPRESENTS LAST
 DIGIT OF YEAR: EX- 0=2000.

5. THIS CONNECTOR WILL ACCOMMODATE THE FOLLOWING
 WIRE INSULATION DIAMETERS:

CONTACT SIZE	MIN. INSUL O.D.	MAX. INSUL O.D.	WIRE RANGE [mm ²]
16	.053 [1.35]	.120 [3.05]	14-20 AWG [2.0-0.5]

- 4. THIS RECEPTACLE MATES WITH DT06-6S-**** (**** = ALL MODIFICATIONS). CONSULT FACTORY FOR MODIFICATIONS.
- 3. FOR CONTACTS AND WIRE PERFORMANCE AND APPLICATION CHARACTERISTICS SEE ENVELOPE DRAWING 0425-015-0000 AND 0425-017-0000.
- 2. DIMENSIONS ARE ±.025 [0.63] UNLESS OTHERWISE SPECIFIED.
- 1. DIMENSIONS ARE IN INCHES [MILLIMETERS].

NOTES:

SIGNATURE & DATE	
DR	D. SPENCER 04FEB99
CHK	<i>[Signature]</i> 10/12/07
PE	R. Mervyn 9/19/07
APPD	<i>[Signature]</i> 10/10/07
SCALE	3:1 WT

6 WAY RECEPTACLE
 CE01 MOD.
 DT SERIES
 ENVELOPE

EP	MATL. CODE
3850 INDUSTRIAL AVE. HEMET, CA 92545	
B DT04-6P-CE01	
DWG SIZE	CODE 11139 SHEET 1 OF 1