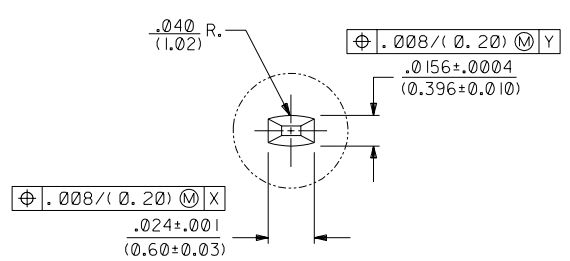
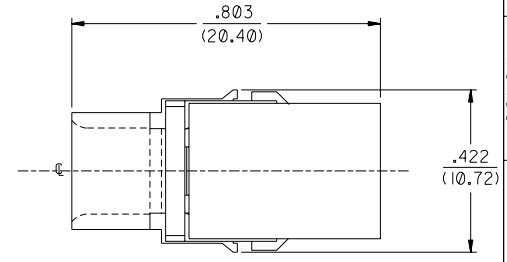
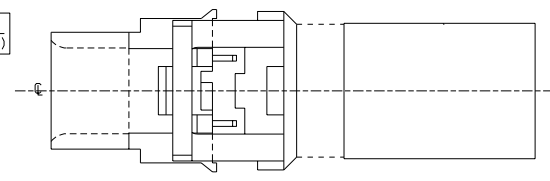
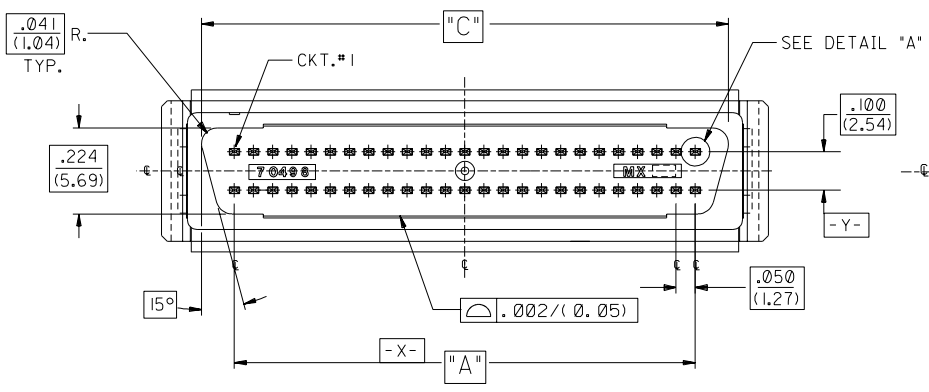


DETAIL "A"  
(ASSEMBLED WITHOUT STRAIN-RELIEF)  
SCALE 8:1



DETAIL A  
SCALE = 20:1

50 CIRCUIT SHOWN

SEE SHEETS 2 & 3 FOR ALL NOTES AND CHART.

3	D
2	E
1	E

LTR.	REVISIONS	LTR.	REVISIONS
	C		ADDED 70498-5101 TO CHART PER EC *UDT1998-0089 J.LONG 98/03/24
E	B		ADDED NOTE 7 & CABLE ASSEMBLY PER EC * U81273 J.LONG 97/12/01
D	A		RELEASED PER ECN * U60545 95/11/02 J. LONG
			ADD SHEET 3, & PRELOADED VIEW UDT1999-0464 KAS 98/12/21

DIMENSIONS SHOWN (METRIC) INCH UNLESS OTHERWISE SPECIFIED TOLERANCES: ANGULAR 1/2°	
3 PLACE ± .005	INCH METRIC
2 PLACE ± --- ± 0.13	
1 PLACE --- ± ---	
DRAFT WHERE APPLICABLE MUST REMAIN WITHIN DIMENSIONS	
DRWG. BY J. Long	CHK'D. BY J. Long
APP'D. BY DCB	SCALE 4:1

REVISE ONLY ON CAD SYSTEM	
TITLE SCSI ALL-PLASTIC MODULAR SUB-ASSEMBLY KIT FOR .025 RIBBON CABLE PLUG	
MOLEX INCORPORATED LITSE, ILL. 60532 U.S.A.	SHEET NO. 1 of 3 DATE 95/11/08
PART NO. SDMS-70498-5***	DRWG. NO. SDMS-70498-5***
FILE NAME S7049851 DGN	THIS DRAWING CONTAINS INFORMATION THAT IS PROPRIETARY TO MOLEX INC. AND SHOULD NOT BE USED WITHOUT WRITTEN PERMISSION.
DC	DC

NOTES:

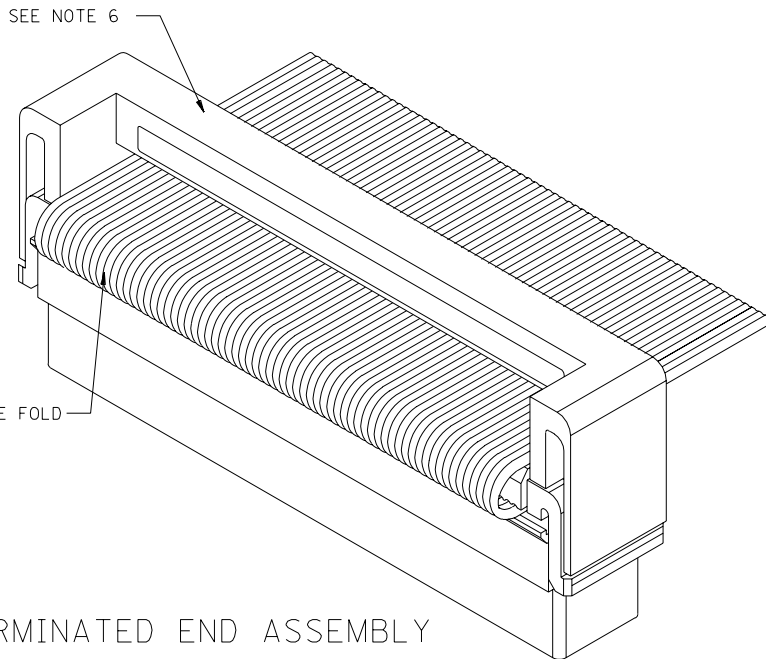
- REFER TO PS-79058 PRODUCT SPEC FOR ELECTRICAL, MECHANICAL AND ENVIRONMENTAL SPECIFICATIONS.
- MATERIAL:  
 PLUG HOUSING: POLYESTER (PBT), GLASS FILLES, UL94 V-0, COLOR: BLACK  
 CONTACT: PHOSPHOR BRONZE  
 UPPER HOUSING: POLYESTER (PBT), GLASS FILLES, UL94 V-0, COLOR: BLACK  
 STRAIN RELIEF: POLYESTER (PBT), GLASS FILLES, UL94 V-0, COLOR: BLACK

FINISHES: TERMINALS:

(GOLD 15)  
 SELECTIVE GOLD: THICKNESS= 15 MICROINCHES/(0.38 MICROMETERS) MINIMUM.  
 SELECTIVE TIN: THICKNESS= 75 MICROINCHES/(1.90 MICROMETERS) MINIMUM.  
 NICKEL UNDERPLATE OVERALL.

(GOLD 30)  
 SELECTIVE GOLD: THICKNESS= 30 MICROINCHES/(0.76 MICROMETERS) MINIMUM.  
 SELECTIVE TIN: THICKNESS= 75 MICROINCHES/(1.90 MICROMETERS) MINIMUM.  
 NICKEL UNDERPLATE OVERALL.

- PACKAGING: SUBASSEMBLY SUPPLIED IN TUBES AND UPPER HSG. AND STRAIN-RELIEF SUPPLIED IN BULK PER PK-70873-0258.
- RECOMMENDED CABLE: 30 AWG STRANDED OR SOLID, .025 RIBBON. CONTACT MOLEX INC. FOR LIST OF APPROVED CABLES.
- APPLICATION TOOL CLOSURE OVER ASSY TO BE CONTROLLED TO .364±.001 USING A POSITIVE STOP TO ASSURE PROPER TERMINATION.
- STRAIN-RELIEF MAY BE POSITIONED SO THE TIE-BAR ORIENTATION CAN BE ON EITHER SIDE IN RELATIONSHIP TO THE CONNECTOR "D" SHAPE. IF THE STRAIN-RELIEF WILL BE USED ON A CABLE HARNESS AT AN END TERMINATION THE ORIENTATION SHOULD BE AS SHOWN. THE TIE-BAR SHOULD BE ON THE OPPOSITE SIDE OF THE CONNECTOR FROM THE CABLE FOLD.

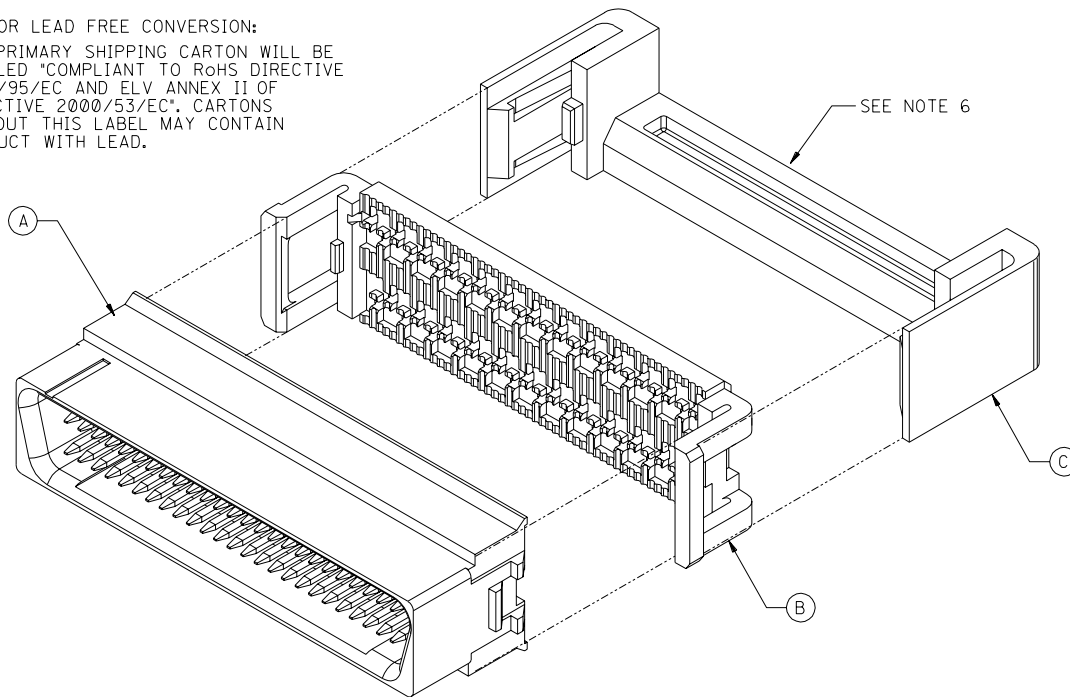


TERMINATED END ASSEMBLY  
 FOR REFERENCE ONLY

ITEM NO.	CKT. SIZE	PLATING TYPE	ITEM	DESCRIPTION/ITEM NO.	QTY	"A"		"B"		"C"		"D"		"E"	
						IN.	MM.	IN.	MM.	IN.	MM.	IN.	MM.	IN.	MM.
70498-5050	50	GOLD 30	A	PLUG ASSEMBLY : 70498-2050	1										
			B	UPPER HOUSING : 70497-1050	1	1.200	30.48	1.225	31.12	1.372	34.85	1.577	40.06	1.580	40.13
			C	STRAIN-RELIEF : 70499-3050	1										
70498-5068	68	GOLD 30	A	PLUG ASSEMBLY : 70498-2068	1										
			B	UPPER HOUSING : 70497-1068	1	1.650	41.91	1.675	42.54	1.822	46.28	2.027	51.49	2.030	51.56
			C	STRAIN-RELIEF : 70499-3068	1										
70498-5101	68	GOLD 30	A	PLUG ASSEMBLY : 70498-2168	1										
			B	UPPER HOUSING : 70497-1068	1	1.650	41.91	1.675	42.54	1.822	46.28	2.027	51.49	2.030	51.56
			C	STRAIN-RELIEF : 70499-3068	1										
70498-5201	68	GOLD 15	A	PLUG ASSEMBLY : 70498-2168	1										
			B	UPPER HOUSING : 70497-1068	1	1.650	41.91	1.675	42.54	1.822	46.28	2.027	51.49	2.030	51.56
			C	STRAIN-RELIEF : 70499-3068	1										

NOTE FOR LEAD FREE CONVERSION:

THE PRIMARY SHIPPING CARTON WILL BE LABELED \*COMPLIANT TO ROHS DIRECTIVE 2002/95/EC AND ELV ANNEX II OF DIRECTIVE 2000/53/EC\*. CARTONS WITHOUT THIS LABEL MAY CONTAIN PRODUCT WITH LEAD.



DETAIL FOR PK-70873-0258  
 FOR TUBE/BULK PACKAGING  
 ITEM SERIES 70498-50\*\* & -51\*\*

50 CIRCUIT ASSEMBLY

SEE ALSO SHEET 3

DIMENSIONS SHOWN (METRIC) INCH		UNLESS OTHERWISE SPECIFIED TOLERANCES: ANGULAR ± 1/2°		MFG. SH. REV.	
5 PLACE	±	INCH	METRIC		
2 PLACE	±	---	±		
1 PLACE	---	±	---		
DRAFT WHERE APPLICABLE MUST REMAIN WITHIN DIMENSIONS				REVISE ONLY ON CAD SYSTEM	
DRG. BY: J. Long		CHK'D. BY: J. Long		TITLE: SCSI ALL-PLASTIC MODULAR SUB-ASSEMBLY KIT FOR .025 RIBBON CABLE PLUG	
APPR'D. BY: DCB		SCALE: 4:1		PART NO. SEE CHART SDMS-70498-5***	
LTR. REVISIONS		LTR. REVISIONS		FROM: MOLEX INCORPORATED SHEET NO. 2 DATE 95/11/08	
				FILE NAME: S7049852.DGN THIS DRAWING CONTAINS INFORMATION THAT IS PROPRIETARY TO MOLEX INC. AND SHOULD NOT BE USED WITHOUT WRITTEN PERMISSION.	

70498

A