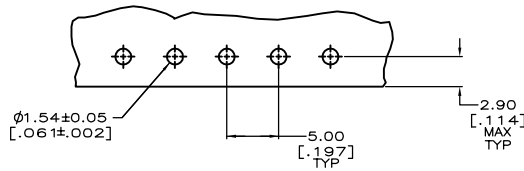
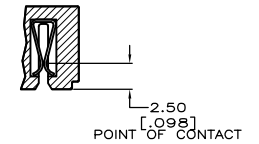
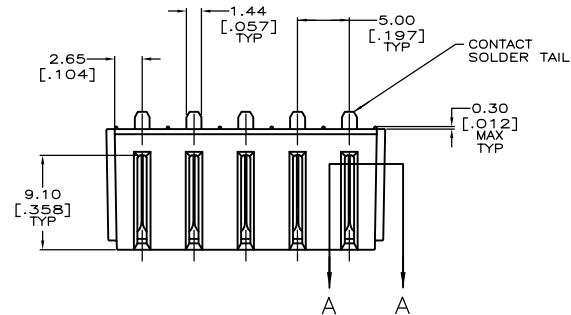
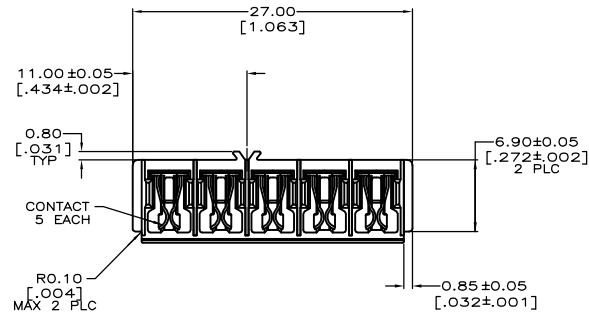
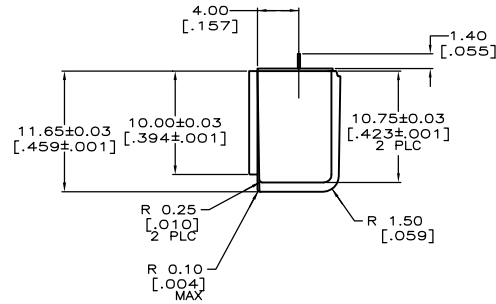


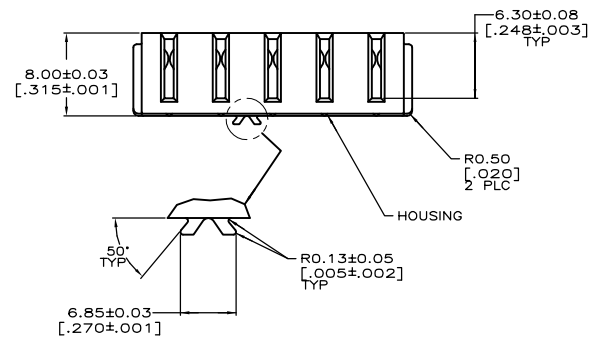
SUGGESTED CAVITY



RECOMMENDED PC BOARD LAYOUT



SECTION A-A



- ▲ HOUSING: POLYPHTHALAMIDE, BLACK.  
CONTACTS: PHOSPHOR BRONZE.
- ▲ CONTACT: 1.30µm[.000051] MIN TIN ON SOLDER TAIL  
OVER 1.90µm[.000075] MIN NICKEL ON ENTIRE CONTACT.

5146800-1  
PART NUMBER

THIS DRAWING IS A CONTROLLED DOCUMENT.		DATE: 21 OCT 84	Tyco Electronics Corporation Shanghai PRC	
DESIGNER: C. BAKER	DATE: 04 NOV 84	DRW: C. BAKER	DATE: 08 NOV 84	NAME: C. BAKER
PRODUCT SPEC: 108-1501	APPLICATION SPEC: -	SCALE: 4:1	SHEET: 1 OF 1	RESTRICTED TO: -
MATERIAL: -	FINISH: -	WEIGHT: -	CUSTOMER DRAWING: -	SIZE: CASE CODE: DRAWING NO: A1 00779
DIMENSIONS: mm		TOLERANCES UNLESS OTHERWISE SPECIFIED:		
0 PLC	± .05	1 PLC	± .02	
2 PLC	± .01	3 PLC	± .01	
4 PLC	± .01	5 PLC	± .01	
ANGLES	± .5°			