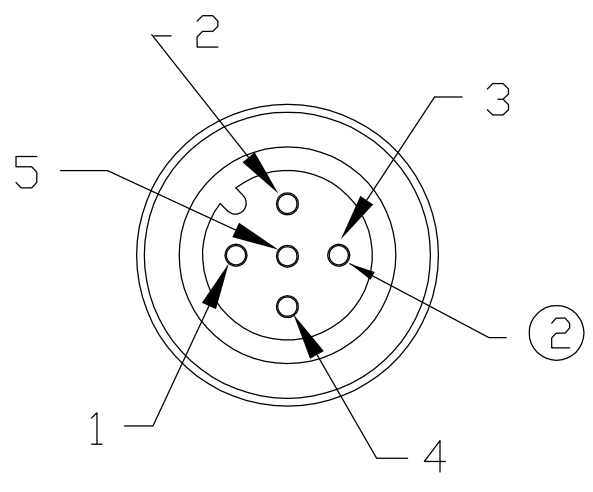
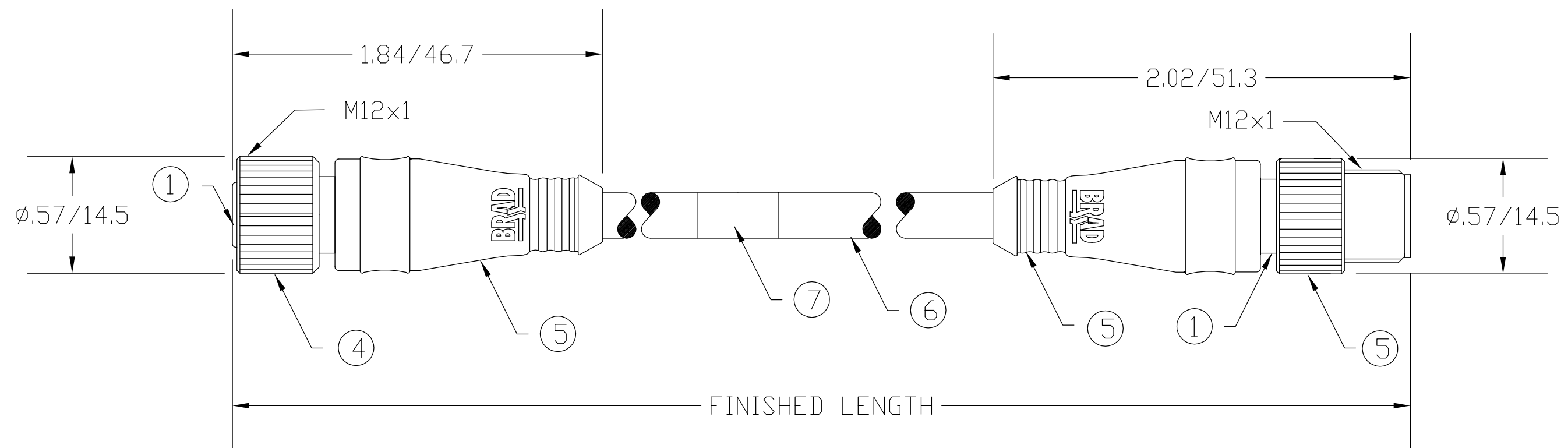
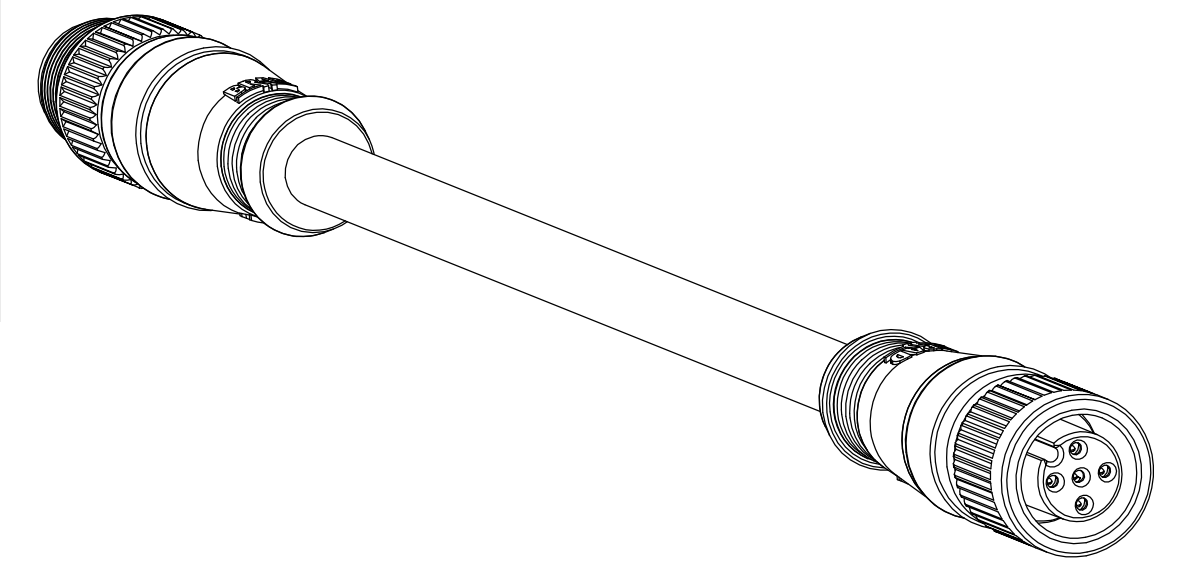
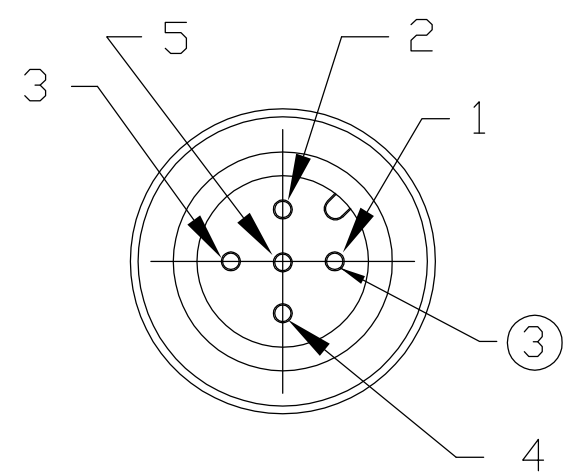


MATERIAL NUMBER	OLD PART NUMBER	FINISHED LENGTH	MATERIAL NUMBER	OLD PART NUMBER	FINISHED LENGTH
130028-0022	DND22A-M003	98' +.75" -0 [3M +19.1 -0]	130028-0239	DND22A-M070	22.97' +6.50" -0 [7.0M +165.1 -0]
130028-0023	DND22A-M005	1.64' +1.75" -0 [5M +44.5 -0]	130028-0044	DND22A-M080	26.25' +12.50" -0 [8.0M +317.5 -0]
130028-0028	DND22A-M010	3.28' +2.19" -0 [1.0M +55.6 -0]	130028-0045	DND22A-M090	29.53' +12.50" -0 [9.0M +317.5 -0]
130028-0033	DND22A-M020	6.56' +3.50" -0 [2.0M +88.9 -0]	130028-0046	DND22A-M100	32.81' +12.50" -0 [10.0M +317.5 -0]
130028-0037	DND22A-M030	9.84' +3.50" -0 [3.0M +88.9 -0]	130028-0048	DND22A-M150	49.21' +24.50" -0 [15.0M +622.3 -0]
130028-0040	DND22A-M040	13.12' +6.50" -0 [4.0M +165.1 -0]	130028-0050	DND22A-M200	65.62' +24.50" -0 [20.0M +622.3 -0]
130028-0042	DND22A-M050	16.40' +6.50" -0 [5.0M +165.1 -0]	130028-0052	DND22A-M250	82.02' +24.50" -0 [25.0M +622.3 -0]
130028-0043	DND22A-M060	19.69' +6.50" -0 [6.0M +165.1 -0]	130028-0054	DND22A-M300	98.43' +24.50" -0 [30.0M +622.3 -0]

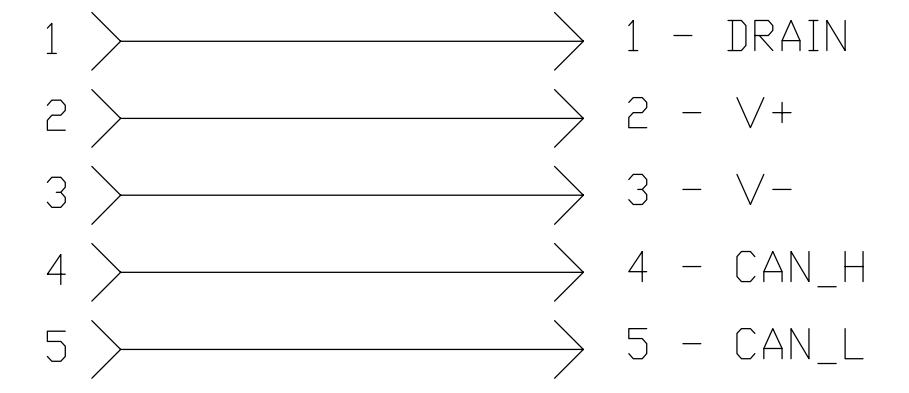


FEMALE FACE VIEW



MALE FACE VIEW

SCHEMATIC



ITEM	COMPONENT	MATERIAL	FINISH
1	INSERT	NYLON 6/6	BLACK
2	CONTACT SOCKET	COPPER ALLOY	GOLD OVER NICKEL
3	CONTACT PIN	COPPER ALLOY	GOLD OVER NICKEL
4	COUPLING NUT	ZINC DIE CAST	BLACK E-COATED
5	OVERMOLD	PVC	GRAY
6	CABLE-DEVICENET THIN CABLE 2/22 & 2/22 SHIELD PAIR	PVC	GRAY
7	LABEL	MYLAR	BLACK/YELLOW

VOLTAGE RATING	250 VAC/VDC
AMPERAGE RATING	4 AMPS
PROTECTION	IP67
OPERATING TEMPERATURE	-20°C TO 80°C
UL CERTIFICATIONS	UL LISTED, FILE NO. E152210
CSA CERTIFICATIONS	CSA CERTIFIED, FILE NO. LR6837

RLSO DRAWING EC NO: WNA2009-0576 DRWN: BWOODMAN 3/13/09 CH'KD: JM APPR: JFMURPHY 2009/03/31	QUALITY SYMBOL	GENERAL TOLERANCES (UNLESS SPECIFIED)	DIMENSION STYLE	SCALE	DESIGN UNITS	THIRD ANGLE PROJECTION
	▽=0 ∇=0	mm INCH 4 PLACES ±---- ±---- 3 PLACES ±---- ±---- 2 PLACES ±---- ±.01 1 PLACE ±0.3 ±----	IN/MM	----	----	
	DESCRIPTION	ANGULAR ±----°	DRAWN BY DATE	TITLE		
	REV	DRAFT WHERE APPLICABLE MUST REMAIN WITHIN DIMENSIONS	BW 2009/03/13	MICRO-CHANGE 5P M/MFE DEVICENET CORDSET		
		CHECKED BY DATE	MOLEX INCORPORATED			
		APPROVED BY DATE	SEE CHART	SD-130028-001	SHEET NO. 1 OF 1	
			THIS DRAWING CONTAINS INFORMATION THAT IS PROPRIETARY TO MOLEX INCORPORATED AND SHOULD NOT BE USED WITHOUT WRITTEN PERMISSION			